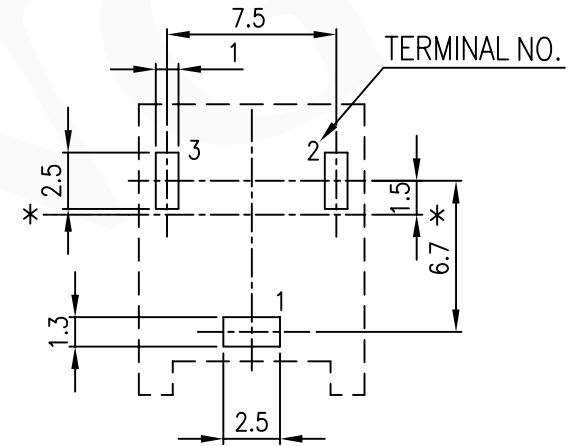
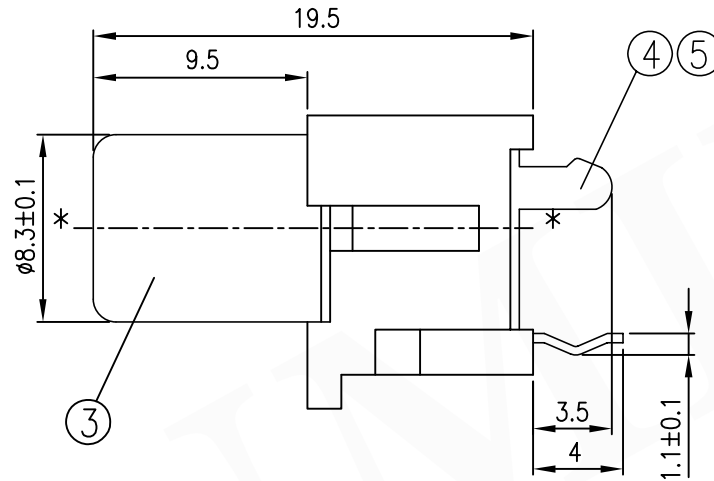
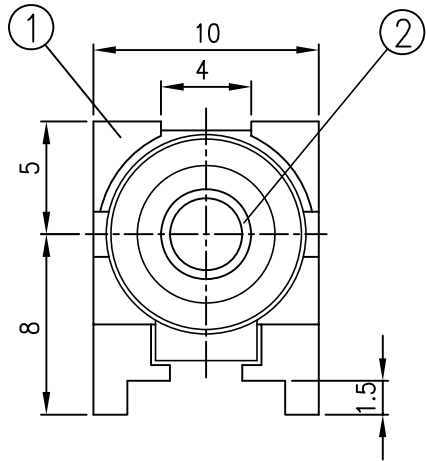
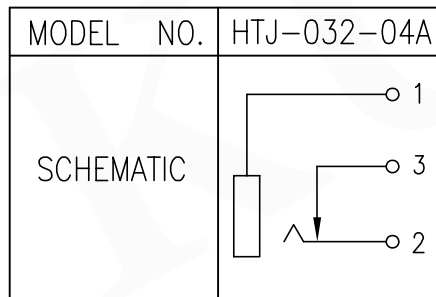


REVISIONS				
LTR	DESCRIPTION	DATE	REVISED	APPROVED
△ X1	修改HOUSING型號,增加WASHER	2006.07.17	YANGZHIBIN	BILL



P.C.B Layout Dimension (Tolerance:±0.1)
(Recommend min.Dimension)(bottom view)



5	SHUNT SPRING	1	C2680 ; t=0.4	Please refer color combination list
4	TIP SPRING	1	C5210 ; t=0.3	
3	OUTER CONTACT	1	C2680 ; t=0.4	
2	WASHER	1	POM	
1	HOUSING	1	PBT+GF	
LTR	PART NAME	QTY	MATERIAL(THICK,COLOR)	REMARK
DSND	MLCHANG	DATE	1992.08.03	SCALE
DWN	YANGZHIBIN	DATE	2006.07.17	PROJECTION
CHKD	BILL JOHNSON	DATE	2006.07.20	UNIT: mm
APVD	DICK	DATE	2006.07.25	NAME
KUNMING ELECTRONICS CO.,LTD.				CAT. NO.
				HTJ-032-04A_P
				DWN.NO.
				A-03204AP
				1/1
				B

UNLESS OTHERWISE SPECIFIED, TOLERANCE ON DECIMAL: ±0.3

ANGLES: ±5°