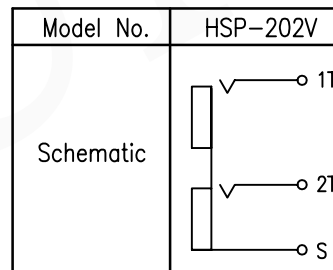
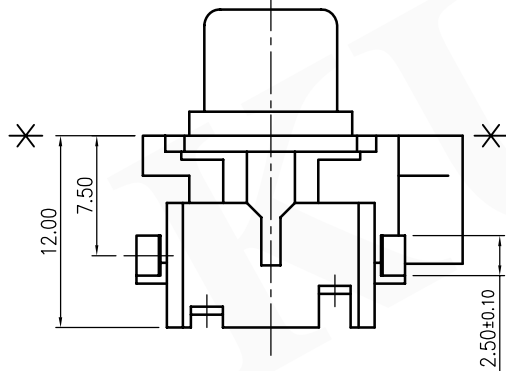
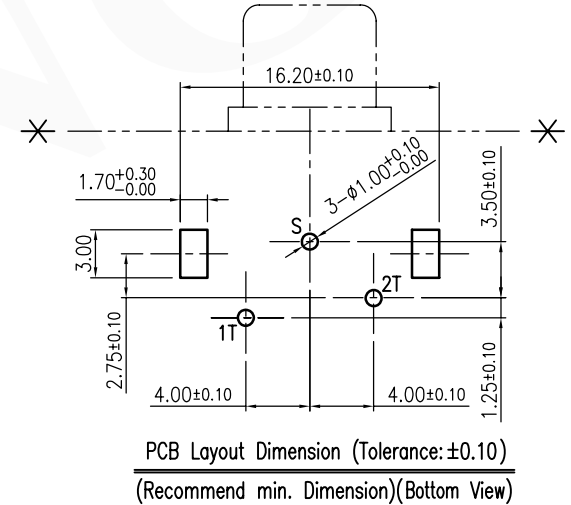
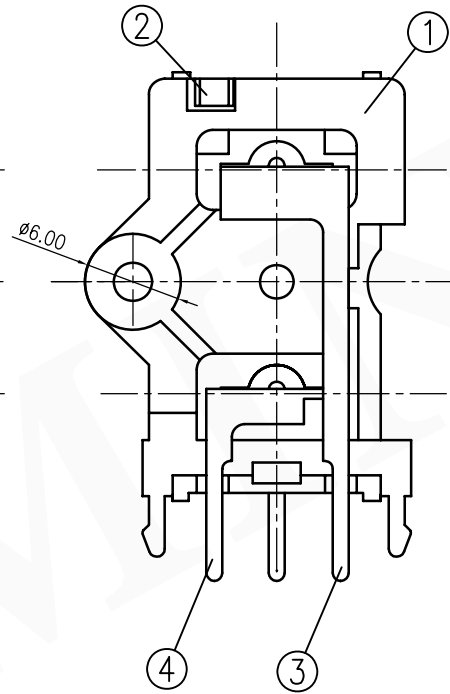
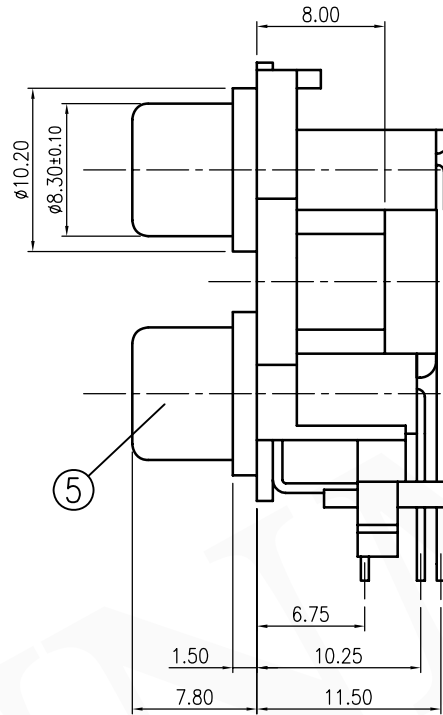
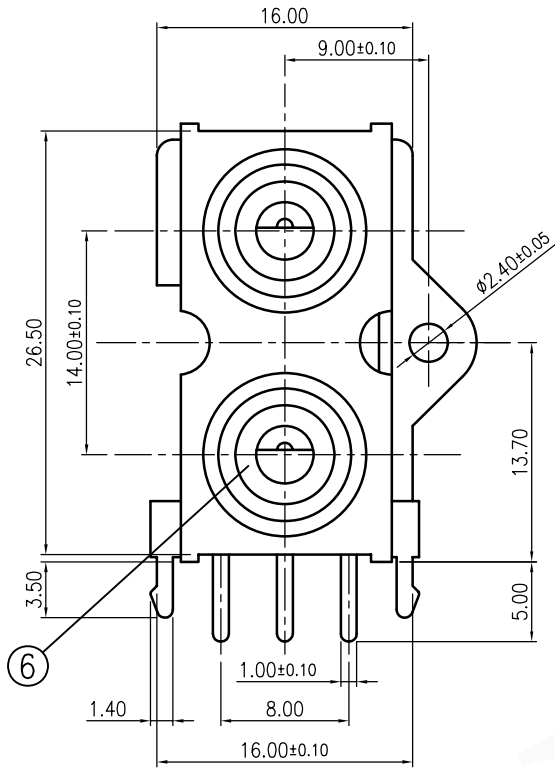


REVISIONS

| LTR | DESCRIPTION | DATE | REV. | CHKD. | APVD. |
|-----|---------------------------------------|------------|---------|-------|-------|
| △x1 | 依簽呈字號C803001進行修正 | 2009.12.07 | PATRICK | HELEN | DICK |
| △x1 | Change the material(ECR No.C03090168) | 2009.12.07 | PATRICK | HELEN | DICK |



| QTY | PART NAME | MATERIAL |
|-----|------------------|--------------------|
| 1 | WASHER | POM UL 94HB |
| 1 | OUTER CONTACT(S) | Ferro Alloy t=0.50 |
| 1 | TERMINAL(2T) | Brass t=0.50 |
| 1 | TERMINAL(1T) | Brass t=0.50 |
| 1 | COVER | ABS UL 94V-0 |
| 1 | HOUSING | ABS UL 94HB |

Please Refer Color Combination List.

| LTR | PART NAME | QTY | MATERIAL | REMARK |
|---------|-----------|------|----------|-----------------|
| 120~315 | ±0.5 | DWN | CWFENG | DATE 1994.09.07 |
| 30~120 | ±0.35 | DSND | CWFENG | DATE 1994.09.07 |
| 6~30 | ±0.22 | CHKD | KUNG | DATE 1994.09.07 |
| BELOW 6 | ±0.16 | APVD | KUNG | DATE 1994.09.07 |

| SCALE | PROJECTION | UNIT: mm | NAME | CAT. NO. | DWN.NO. | 1/1 |
|-------|------------|----------|----------|-----------|---------|-----|
| 2/1 | | mm | PIN JACK | HSP-202V_ | A-202V | E |

UNLESS OTHERWISE SPECIFIED, TOLERANCE ON DECIMAL: ±0.30 ANGLES: ±5°

KUNMING ELECTRONICS CO.,LTD.