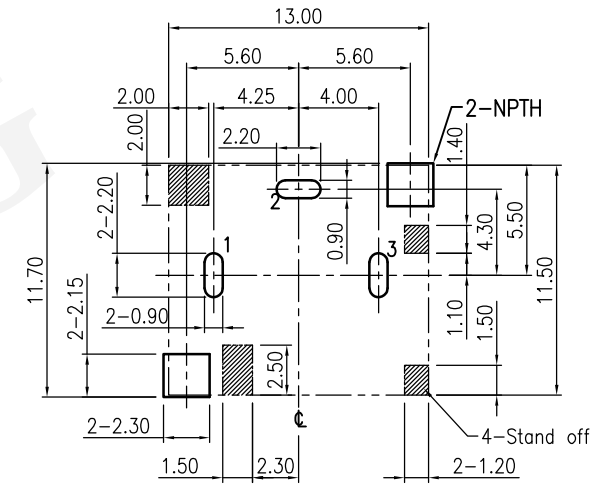
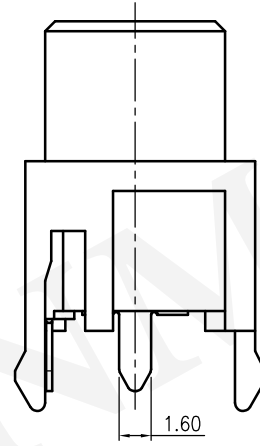
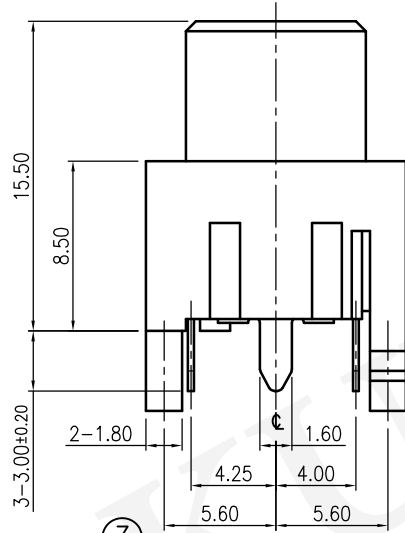
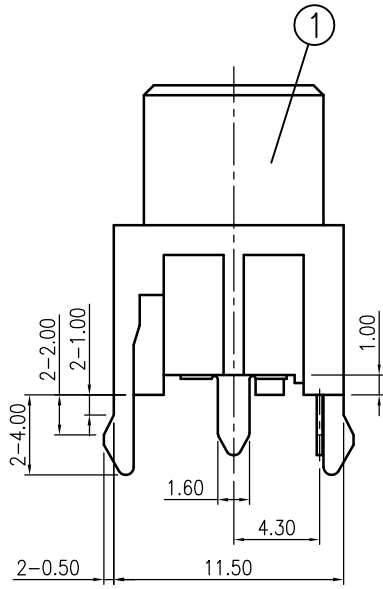
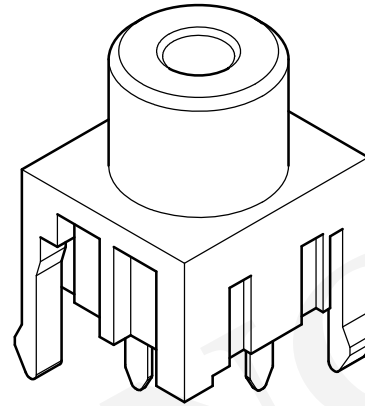
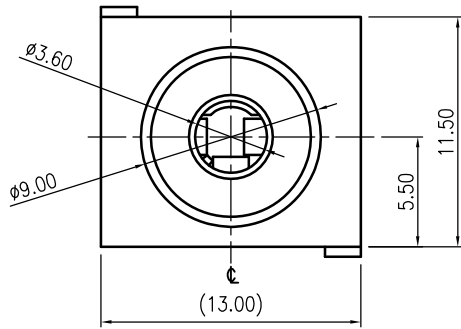


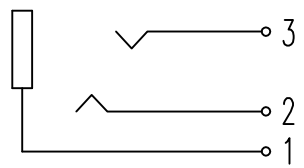
REVISIONS

LTR	DESCRIPTION	DATE	REV.	CHKD.	APVD.
△x0	To modify the shape.(Front View)	2011.12.05	劉秀慧	郭素玲	郭素玲

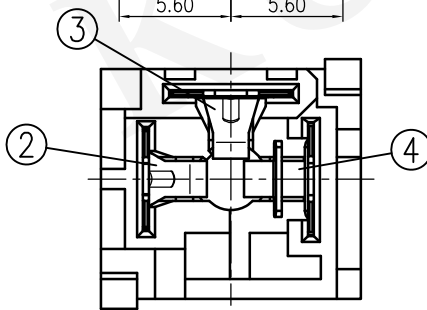


PCB Layout Dimension (Tolerance:±0.10)  
(Recommend min. Dimension)(Bottom View)

----- : Keep Out Area(Top side)



Circuit diagram



4	TIP SPRING (3)	1	Copper Alloy t=0.30
3	RING SPRING (2)	1	Copper Alloy t=0.30
2	GROUND SPRING (1)	1	Copper Alloy t=0.30
1	HOUSING	1	PBT+GF UL 94V-0

Please refer color and plating combination list.

LTR	PART NAME	Q'TY	MATERIAL	REMARK
120~315	±0.5	DWN	劉秀慧	DATE 2011.09.13
30~120	±0.35	DSND	劉秀慧	DATE 2011.09.13
6~30	±0.22	CHKD	郭素玲	DATE 2011.09.13
BELOW 6	±0.16	APVD	郭素玲	DATE 2011.09.13
DIMENSION	TOLERANCE	KUNMING ELECTRONICS CO.,LTD.		DWN.NO. A-35002D00P

SCALE 2.5/1  
PROJECTION  
UNIT: mm

CAT. NO. KM35002D00\_\_P\_  
DWN.NO. 1/1  
A-35002D00P 002