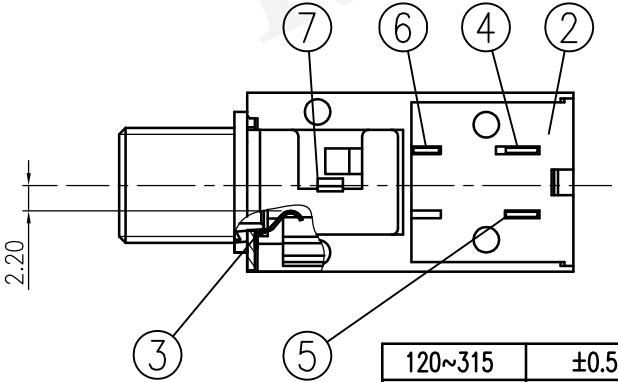
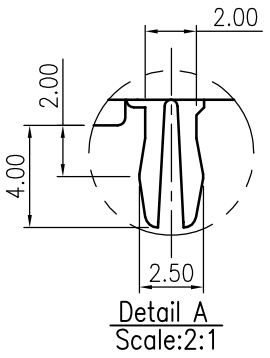
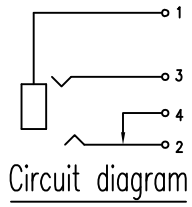
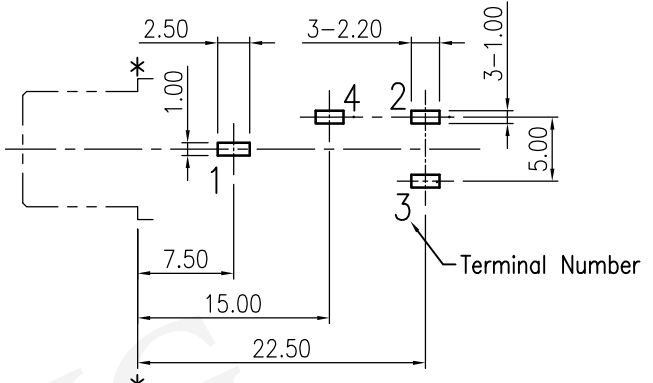
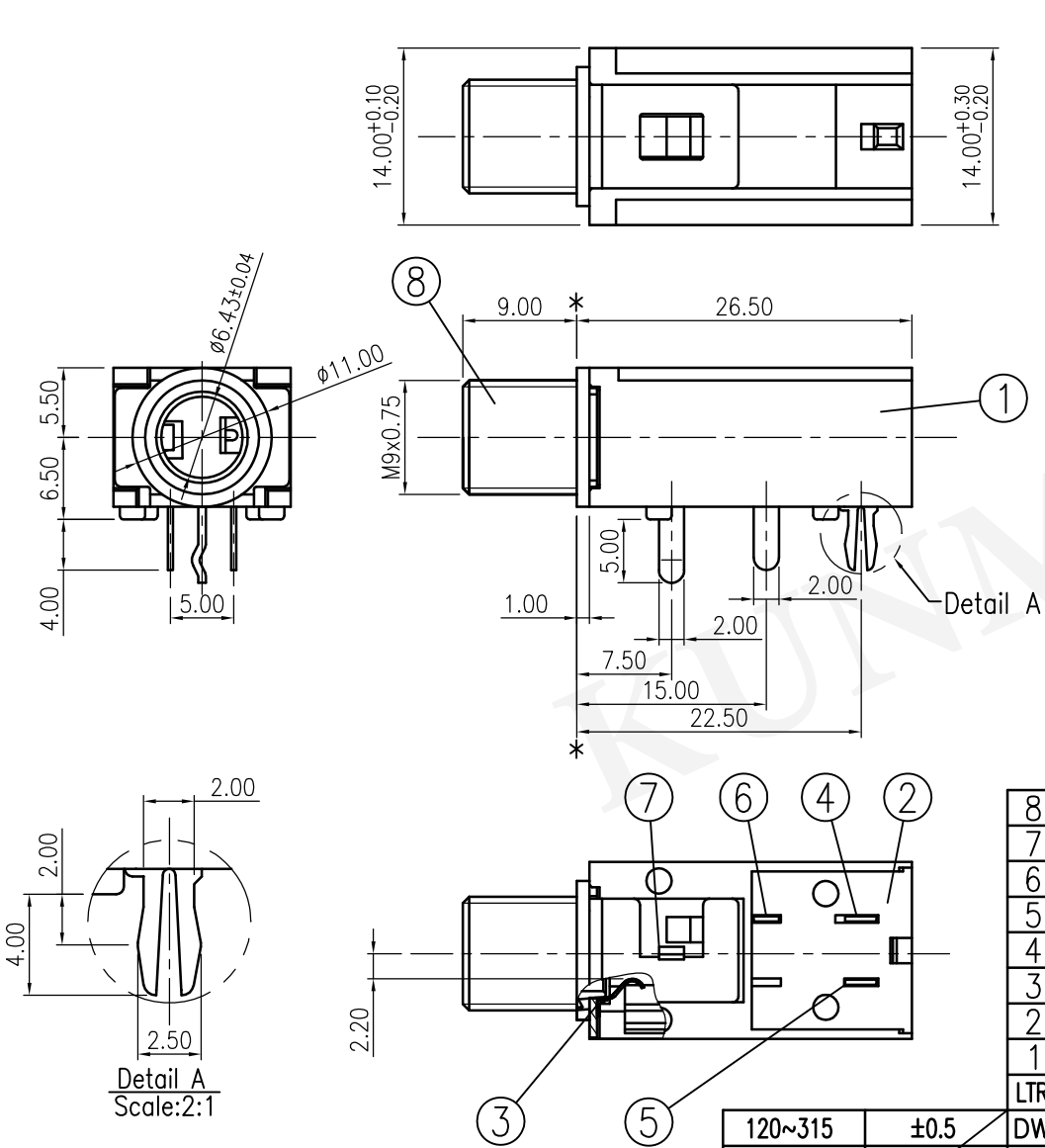


REVISIONS					
LTR	DESCRIPTION	DATE	REV.	CHKD.	APVD.



8	BUSHING	1	Brass
7	EARTH CONTACT (1)	1	SPCC t=0.60
6	B-TERMINAL-R (4)	1	Brass t=0.40
5	RING TERMINAL (3)	1	Copper Alloy t=0.35
4	TIP SPRING (2)	1	Copper Alloy t=0.35
3	EARTH SPRING	1	Copper Alloy t=0.20
2	COVER	1	POM UL 94HB
1	HOUSING	1	PBT+GF UL 94V-0

Please refer color and plating combination list.

LTR	PART NAME	Q'TY	MATERIAL	REMARK
120~315	$\pm 0.5$	DWN	李阮龍	DATE 2011.04.08
30~120	$\pm 0.35$	DSND	陸昌妹	DATE 2004.11.16
6~30	$\pm 0.22$	CHKD	郭素玲	DATE 2011.04.08
BELOW 6	$\pm 0.16$	APVD	郭遠峰	DATE 2011.04.08
DIMENSION	TOLERANCE	KUNMING ELECTRONICS CO.,LTD.		DWN.NO. A-06422HP
				1/1
				001

UNLESS OTHERWISE SPECIFIED, TOLERANCE ON DECIMAL:  $\pm 0.30$  ANGLES:  $\pm 3^\circ$

NAME PHONE JACK  
CAT. NO. HTJ-064-22HP  
DWN.NO. A-06422HP