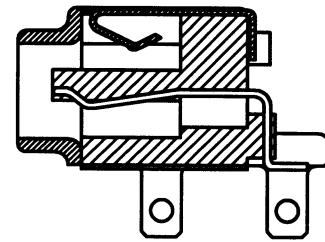
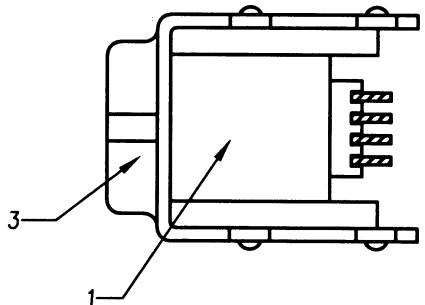
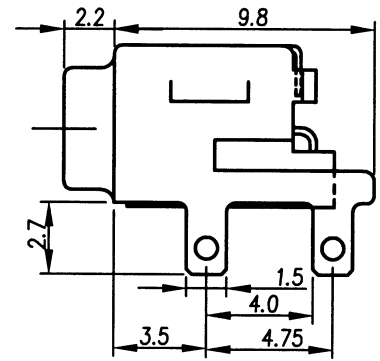
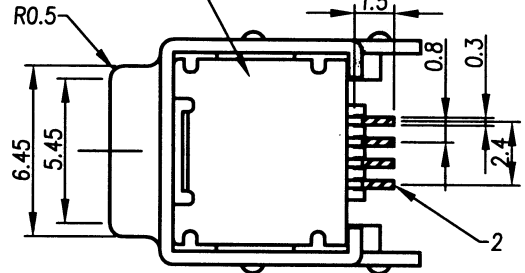
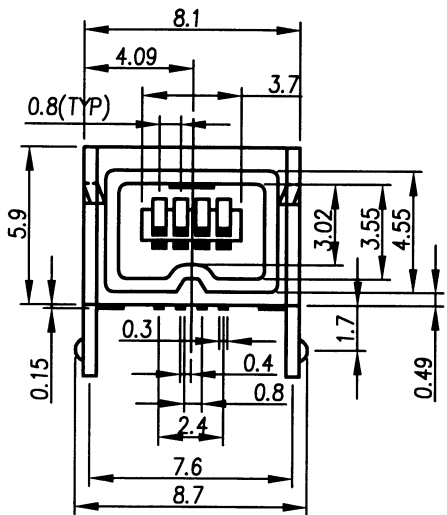


1 2 3 4 5 6 7 8

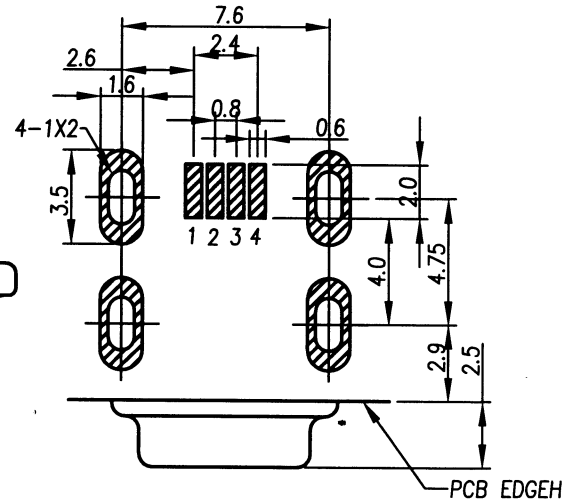
F
E
D
C
B
A

F
E
D
C
B
A

REV	MODIFICATION	DATE	DRAW



SECTION A-A



COMPONENT SIDE
PCB LAYOUT

NO.	NAME	MATERIAL	FINISH	REMARK	Q'TY
1	HOUSING	NYLON PA9T G.F	BLACK		1
2	PIN TERM.	PHOS. BRONZE t:0.25mm	GOLD-TIN PLATED	Ni:1~1.5u; TIN:3u. GOLD:30u	4
3	FRONT SHELL	STEEL t:0.5mm	NICKEL PLATED	Ni:2~3u	1
4	REAR SHELL	BRASS t:0.2mm	NICKEL PLATED	Ni:2~3u	1

DIMENSION IN mm [Inch]		PROD. SPEC.
TOLERANCE UNLESS OTHERWISE SPECIFIED		PKG. SPEC.
.X±0.3	X.±	APPROVE <i>[Signature]</i>
.XX±0.3	.X.±	CHECK <i>[Signature]</i>
.XXX±0.3	.XX.±	DRAW <i>[Signature]</i>

KINGFONT KINGFONT PRECISION INDUSTRIAL CO., LTD.

TITLE: IEEE 1394 AV CONNECTOR 4 PORT SMT 90° TYPE **CUSTOMER DRAWING**

FILE NO. DWG NO. IECS-004XXBT03

SIZE **A4** PROJ. SHEET 1 / 1

SCALE 3.5:1 REV A

1 2 3 4 5 6 7 8 RQR-51