

REV	MODIFICATION	DATE	DRAW

Specifications

Material & Finish

Housing Material: Nylon 6T UL94V-0 / COLOR: White

Slider: PPS UL94V-0 /COLOR: Coffee

Plating:

Contacts: Copper alloy / Under plating : Nickel (50 μ m).
Over plating : Tin alloy (100 μ m).

Latch : Copper alloy / Under plating: Copper (50 μ m).
Over plating: Tin alloy (100 μ m).

Electrical Performance:

Rated current: 0.5A

Rated voltage: 50 VDC

Contact Resistance: 30 Ω max. (at 20mVDC, 100mA max.)

Insulation Resistance: 100M Ω min. (at 500 VDC)

Dielectric Withstanding Voltage: AC 250V / 60 sec.

(Leak current must be 1mA max.)

Operating Temperature: -30 $^{\circ}$ to +85 $^{\circ}$

Mechanical Performance:

Withdrawal force: per pin 0.02kgf Min.(0.196N Min.)

Durability: 10 cycles.

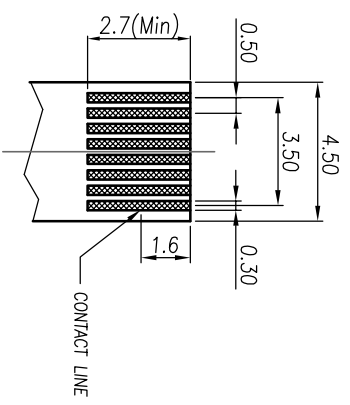
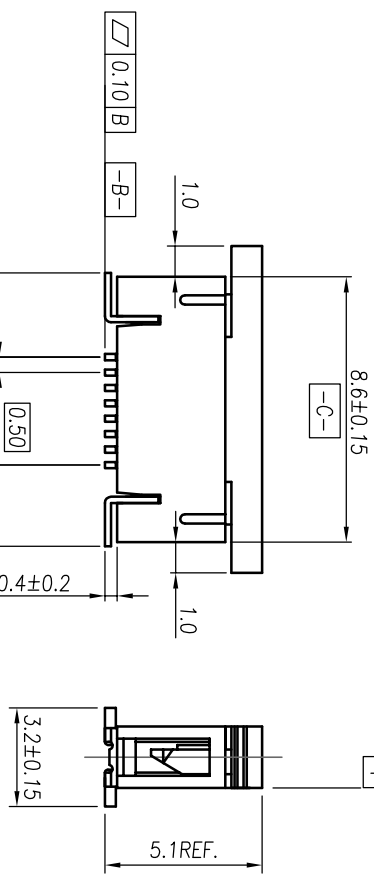
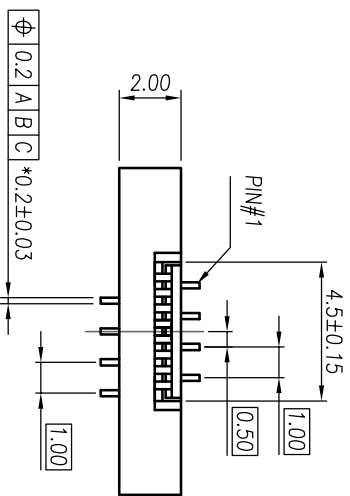
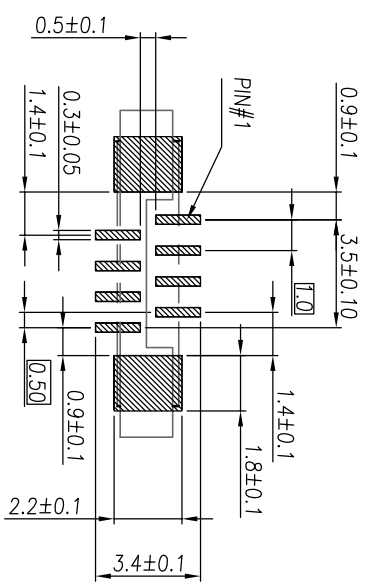
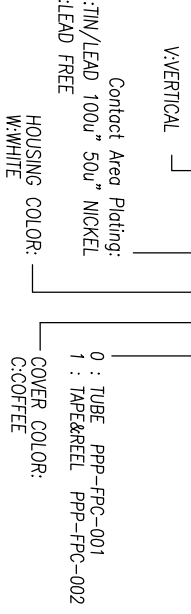
Ordering Information:

FPC M F - V 08 XX W C X 1

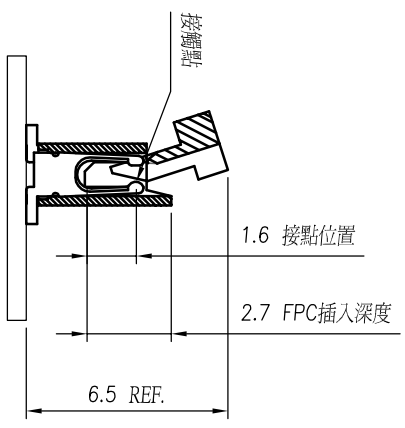
VERTICAL

CONTACT AREA PLATING:
T1:TIN/LEAD 100 μ " 50 μ " NICKEL
TT:LEAD FREE

HOUSING COLOR: W:WHITE
C:COFFEE



FPC/FPC DIMENSION
THICKNESS:0.30 \pm 0.03mm



DIMENSION IN mm [Inch]	TOLERANCE UNLESS OTHERWISE SPECIFIED	PRD. SPEC.	PKG. SPEC.
X \pm 0.30	X \pm	APPROVE	CHECK
.XX \pm 0.20	.X \pm	CHECK	DRAW
.XXX \pm 0.10	.XX \pm	DRAW	

KINGONT PRECISION INDUSTRIAL CO., LTD.

TITLE ZIF FPC/FPC 0.5mm 8pin VERTICAL TYPE(L)
CUSTOMER DRAWING

FILE NO. KFP-005
DWG NO. FPCMF-V08XXWCX1

SIZE A4
SCALE 4:1
SHEET 1
REV A