

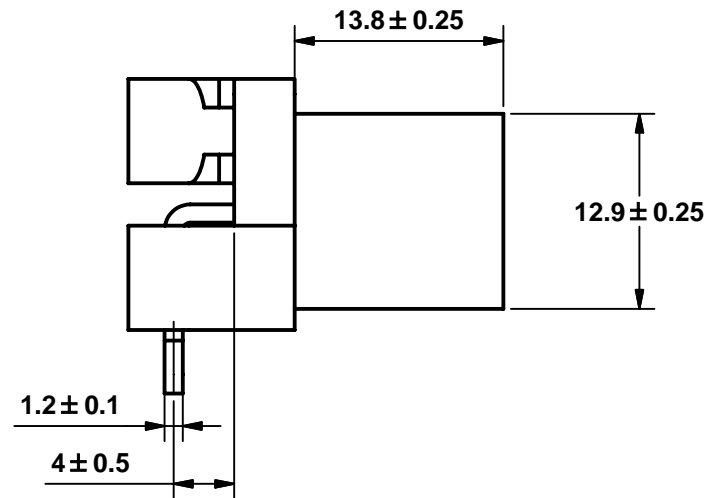
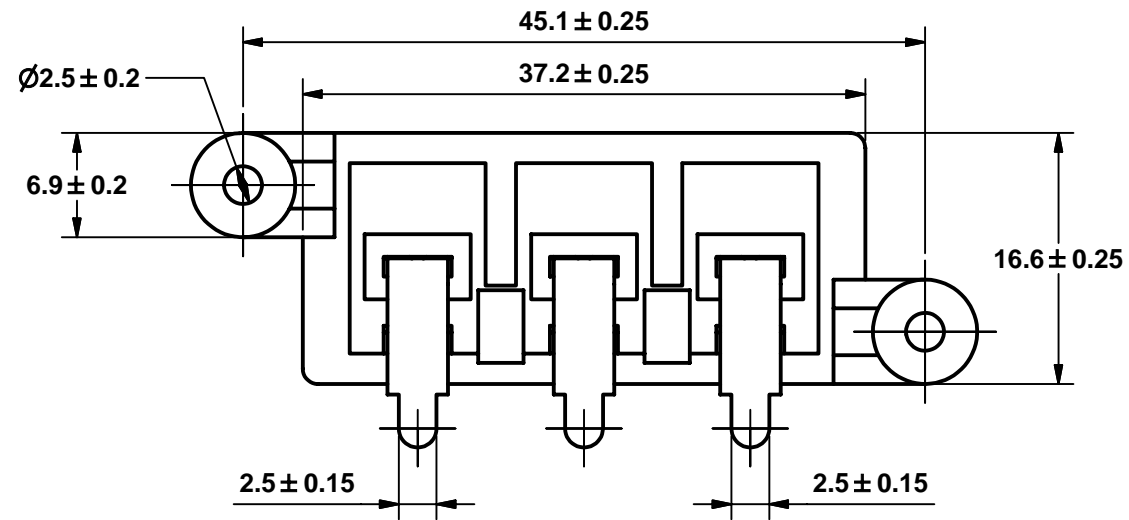
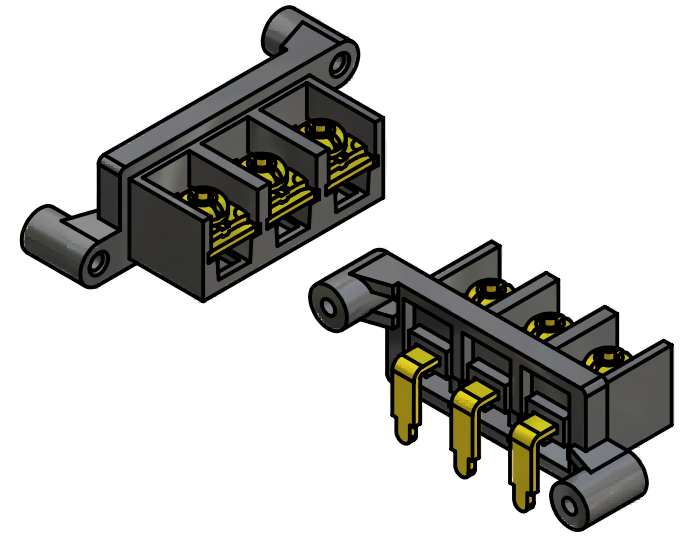
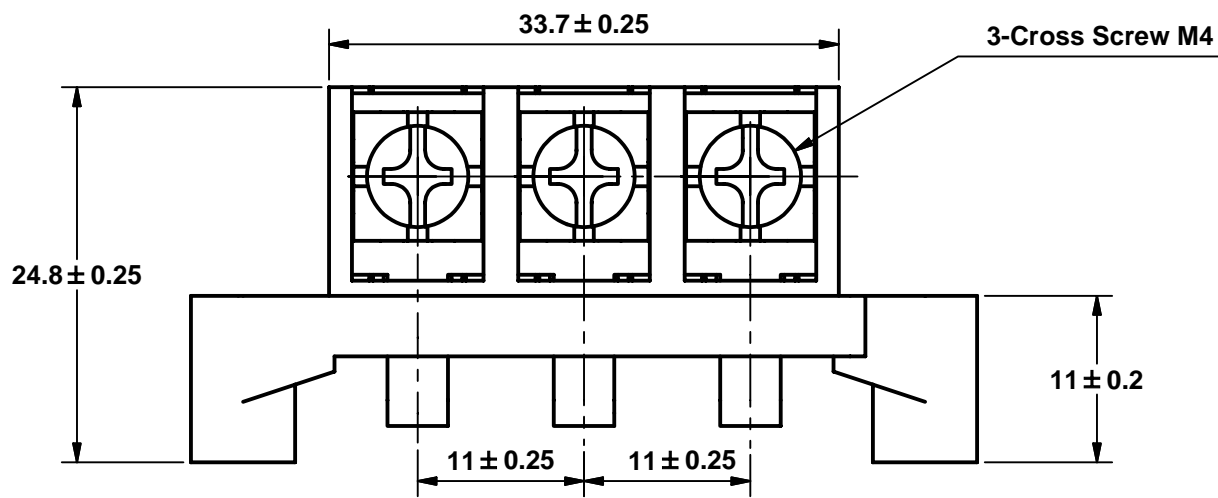




Panel Mount Terminal Block for PCB
 Material: Housing Black PC
 Terminal: Brass Gold plated

UNLESS OTHERWISE SPECIFIED DIMENSIONS ARE IN MM TOLERANCE DECIMALS ANGULAR X ± 0.5 ±2' XX ± 0.25 DO NOT SCALE DRAWING	CUSTOMER NO.	JENN FENG ELECTRIC INDUSTRIAL CO., LTD
	DRAWN BY <i>LING</i>	
 	CHECKED BY	Panel Mount Terminal Block
	APPROVED BY	PART NO. TA-3P-DN
P/N: A0726001	DATE 2005/1/14	DRAWING NO. BA05011404
REV 1.0	SCALE	



Panel Mount Terminal Block for PCB
 Material:Housing Black PC
 Terminal:Brass Gold plated

UNLESS OTHERWISE SPECIFIED DIMENSIONS ARE IN MM TOLERANCE DECIMALS ANGULAR X ± 0.5 ± 2° XX ± 0.25 DO NOT SCALE DRAWING		CUSTOMER NO.	JENN FENG ELECTRIC INDUSTRIAL CO., LTD
		DRAWN BY 施素玲	
 		CHECKED BY	Panel Mount Terminal Block
		APPROVED BY	PART NO. TA-3P(UP)
MATERIAL	DATE 2005/1/24	SCALE	DRAWING NO. BA05012401
REV	1.0		