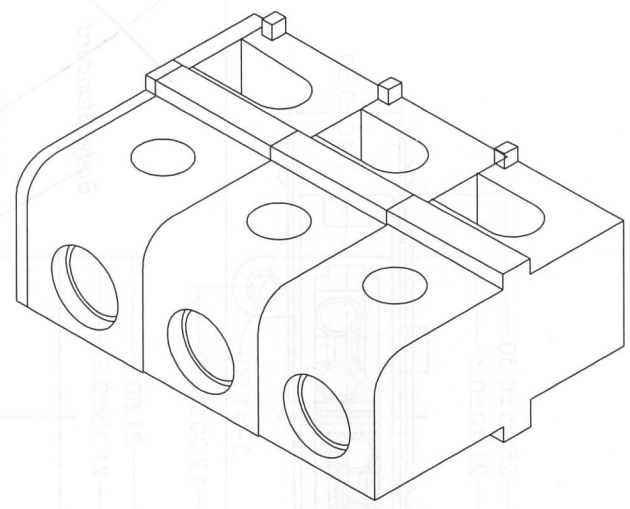
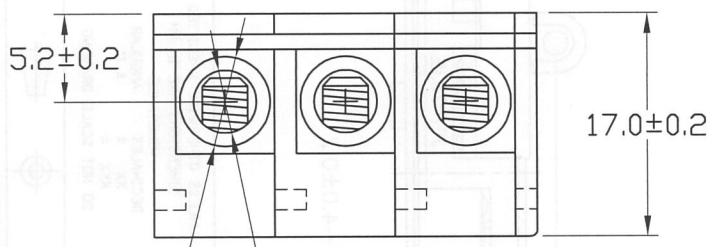
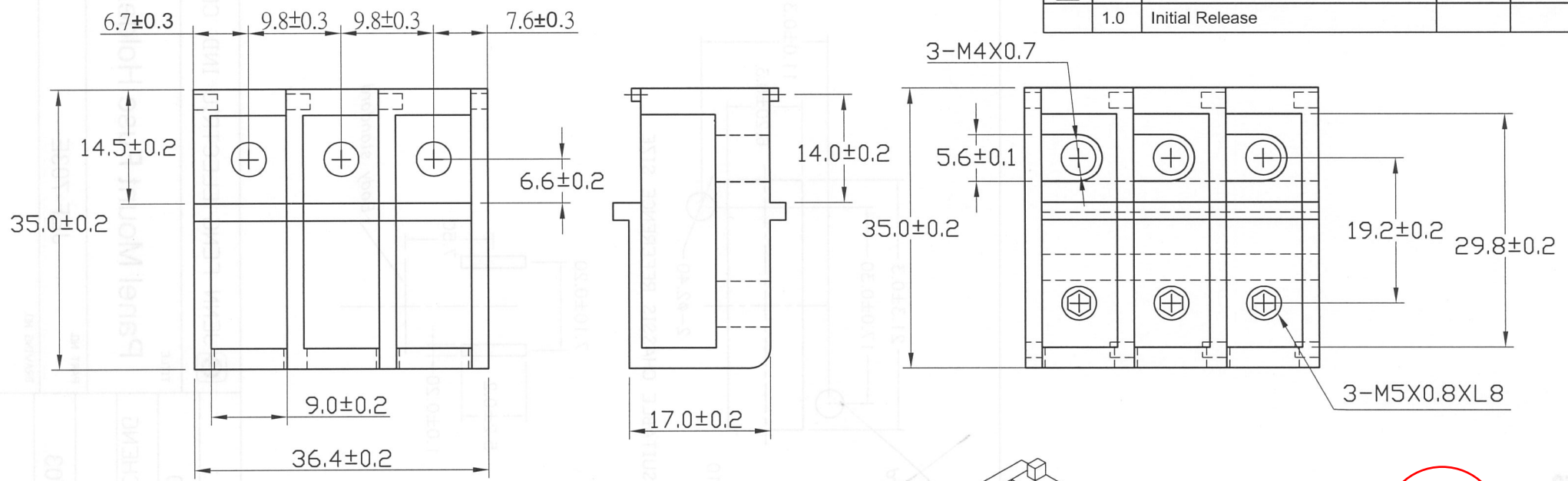


△	REV	DESCRIPTION	DATE	E.C.N.
	1.0	Initial Release		



振豐電子  
2004.02.02  
發行章

UNLESS OTHERWISE SPECIFIED DIMENSIONS ARE IN MM TOLERANCE DECIMALES    ANGULAR xx ±            ± 1° xxx ± DO NOT SCALE DRAWING	CONTRACT NO.	JENN FENG ELECTRIC INDUSTRIAL CO., LTD.
	DRAWN BY 江育聰	
	CHECKED BY	端子台
	DESIGNED BY 鄭文和	
MATERIAL	DATE: 01/15/04	DRAWING NO. BA04011504
TREATMENT	SCALE	