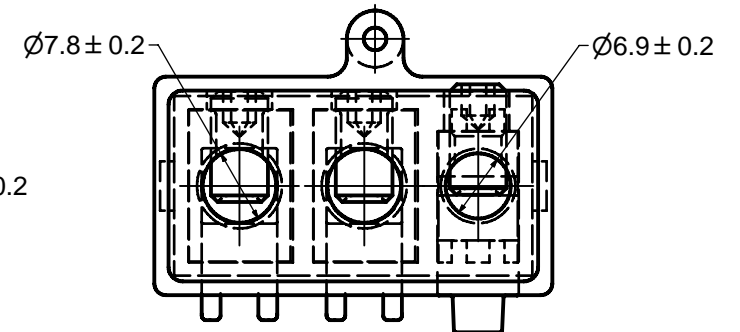
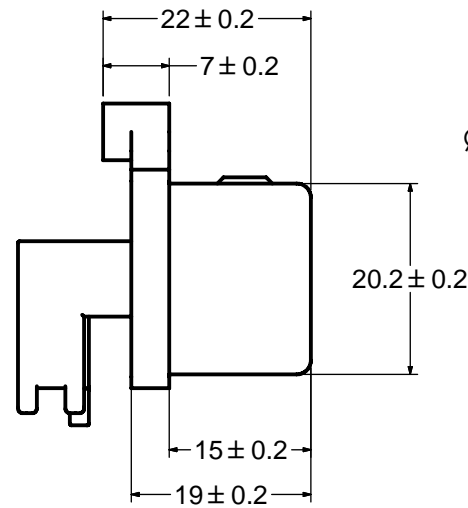
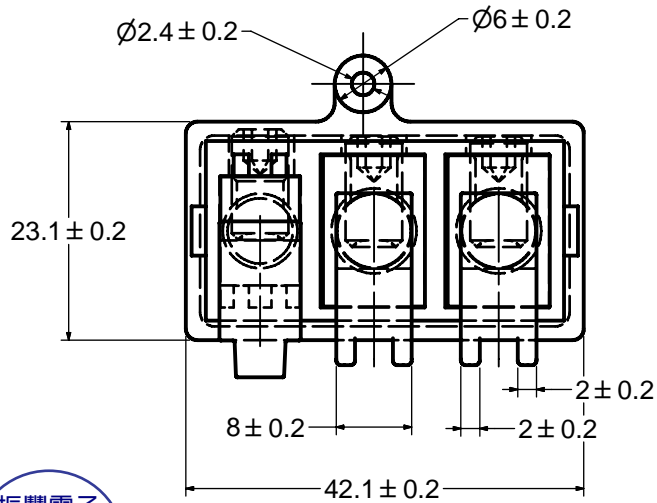
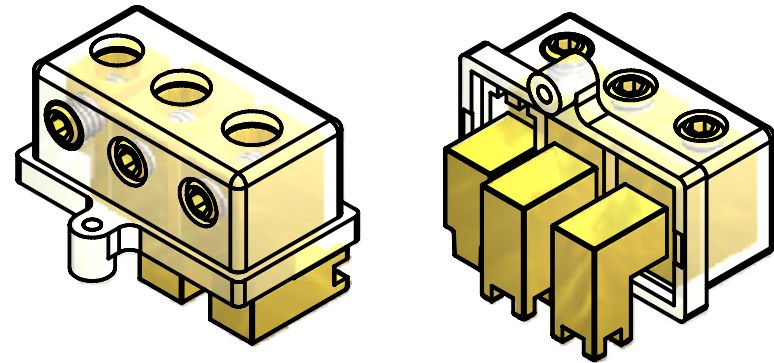


#2418

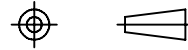


Material:

Housing: Clear Polycarbonate

Terminal: Gold-Plated or Nickel-Plated Zn-Sn Alloy

UNLESS OTHERWISE SPECIFIED
 DIMENSIONS ARE IN MM
 TOLERANCE
 DECIMALS ANGULAR
 X ± 0.5 ± 2'
 XX ± 0.25
 DO NOT SCALE DRAWING



P/N

REV

1.0

CUSTOMER NO.

DRAWN BY LING

CHECKED BY

APPROVED BY 鄭文和

DATE 2007/3/19

SCALE

JENN FENG ELECTRIC INDUSTRIAL CO., LTD

TITLE

PCB Amplify Terminal Block

PART NO. T-534JB

DRAWING NO. BA07031901