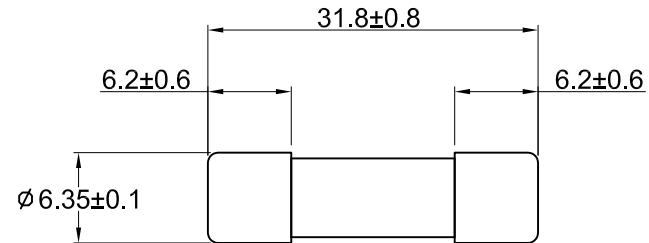
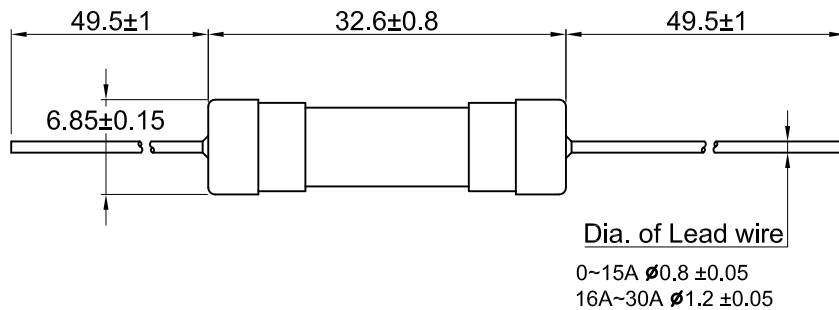


# Dimensions in mm

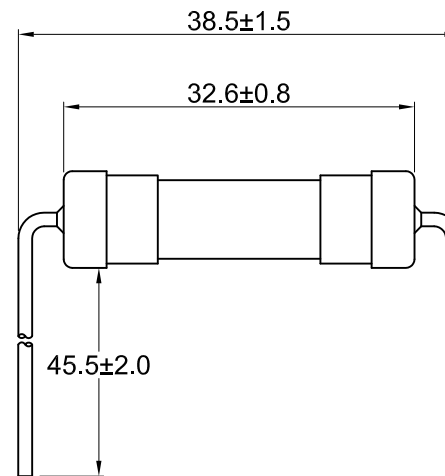
## MMC63



## MMC63-PA



## MMC63-PR



Rated Current	Breaking capacity	Rated Voltage
100mA	@125V/AC 10KA @250V/AC 35A	125V/250V
125mA		125V/250V
160mA		125V/250V
200mA		125V/250V
250mA		125V/250V
300mA		125V/250V
315mA		125V/250V
400mA		125V/250V
500mA		125V/250V
600mA		125V/250V
630mA		125V/250V
700mA		125V/250V
800mA		125V/250V
1A		125V/250V
1.25A	@125V/AC 10KA @250V/AC 100A	125V/250V
1.5A		125V/250V
1.6A		125V/250V
2A		125V/250V
2.5A		125V/250V
3A		125V/250V
3.15A	@125V/AC 10KA @250V/AC 200A	125V/250V
3.5A		125V/250V
4A		125V/250V
5A		125V/250V
6A		125V/250V
6.3A		125V/250V
7A	@125V/AC 10KA @250V/AC 750A	125V/250V
8A		125V/250V
10A		125V/250V
12A		125V/250V
13A	@125V/AC 10KA @250V/AC 400A	125V/250V
15A		125V/250V
16A		125V/250V
20A	@250V/AC 400A	125V/250V
25A		125V/250V
30A		125V/250V

Test Specification according to standard  
UL 248-1,14

### Electrical Characteristic

Rated Current	1.0In		1.35In		2.0In	
	In	Min.	Max.	Min.	Max.	Max.
100mA-30A	4 h		3600 s	3 s		120 s

<small>UNLESS OTHERWISE SPECIFIED DIMENSIONS ARE IN mm TOLERANCE DECIMALS      ANGULAR X ± 0.5            ± 2° XX ± 0.25 DO NOT SCALE DRAWING</small>	CUSTOMER NO.		
	DRAWN BY Jason		TITLE Miniature Cartridge Fuse6.35x32mm Slow Blow Type
	CHECKED BY		PART NO. MMC63 MMC63- PA /PR
	APPROVED BY		DRAWING NO. AA05062112
P/N MMC63xx.xxx	DATE 2014/7/1		
REV B	SCALE		