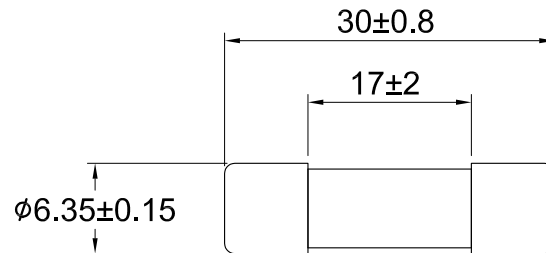
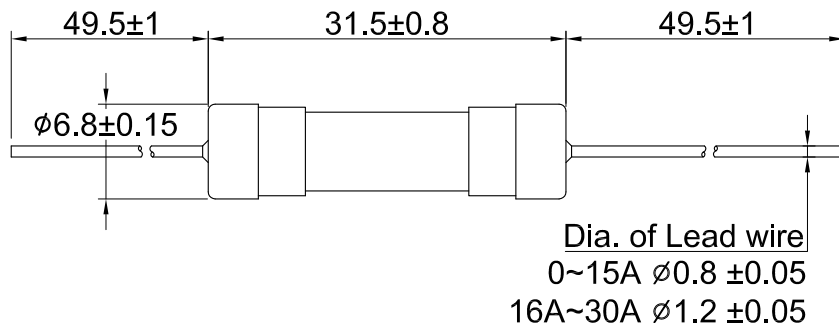


Dimensions in mm

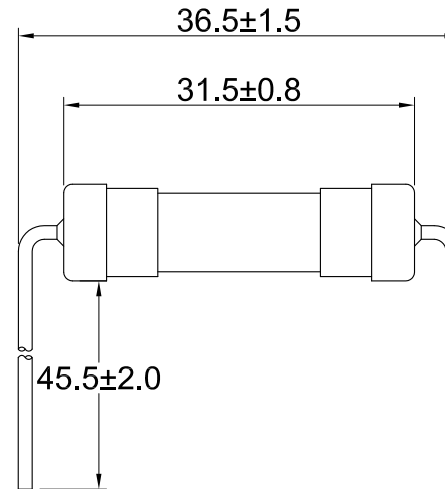
JTC63



JTC63-PA



JTC63-PR



Rated Current	Breaking capacity	Rated Voltage	JTC63- PR/PA JET	
0.1A		125V/250V		
0.125A		125V/250V		
0.16A		125V/250V		
0.2A		125V/250V		
0.25A		125V/250V		
0.3A		125V/250V		
0.315A		125V/250V		
0.4A		125V/250V		
0.5A		125V/250V		
0.6A		125V/250V		
0.63A		125V/250V		
0.7A		125V/250V		
0.8A		125V/250V		
1A		@125V/AC 100A	125V/250V	○
1.25A		@250V/AC 100A	125V/250V	○
1.5A			125V/250V	○
1.6A	125V/250V		○	
2A	125V/250V		○	
2.5A	125V/250V		○	
3A	125V/250V		○	
3.15A	125V/250V		○	
3.5A	125V/250V		○	
4A	125V/250V		○	
5A	125V/250V		○	
6A	125V/250V		○	
6.3A	125V/250V		○	
7A	125V/250V		○	
8A	125V/250V		○	
10A	125V/250V	○		
12A	125V/250V	○		
13A	125V/250V	○		
15A	125V/250V	○		
16A	@250V/AC 300A	250V	○	
20A		250V	○	
25A		250V	○	
30A		250V	○	

Test Specification according to Standard
 JIS C6575-2 J-3/J-4 B Type 1999

Electrical Characteristic

Rated Current	$1.3 I_n$	$1.6 I_n$	$2 I_n$
I_n	Min.	Max.	Max.
0.1A~30A	90min	60min	2min

UNLESS OTHERWISE SPECIFIED DIMENSIONS ARE IN mm TOLERANCE DECIMALS ANGULAR X ± 0.5 $\pm 2^\circ$ XX ± 0.25 DO NOT SCALE DRAWING	CUSTOMER NO.	JENN FENG ELECTRIC INDUSTRIAL CO., LTD. TITLE Miniature Cartridge Fuse 6.35x30mm PART NO. JTC63 JTC63- PA / PR DRAWING NO. AA05062121
	DRAWN BY Jason	
	CHECKED BY	
	APPROVED BY 鄧文和	
P/N	DATE 2014.2.21	
REV C	SCALE	