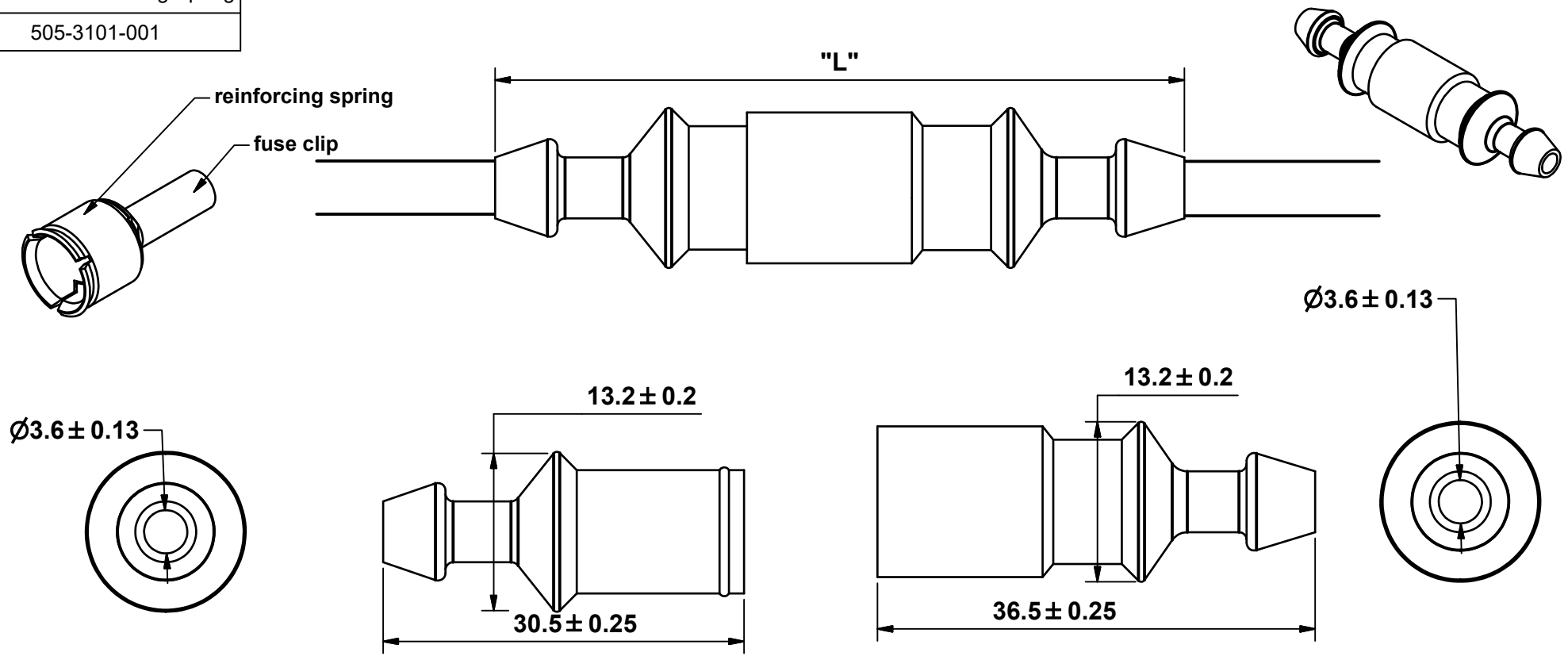


Terminal & Reinforcing Spring  
505-3101-001



IN-LINE FUSEHOLDER (SPLASHPROOF TYPE)



- SPECIFICATIONS:
1. FOR Ø6.35x22mm/25mm/32mm FUSES
  2. ELECTRICAL RATED FOR CURRENTS UP TO 20A, WHEN PROPER WIRE IS INSTALLED FOR FUSE SIZE
  3. INSULATING BODY/COLOR: NYLON /YELLOW
  4. TERMINAL: BRASS TIN-PLATED

NOTE: WITH OTHER WIRE SIZE OR LENGTH AVAILABLE ON CUSTOMER SPECIAL ORDER, WIRE RANGE FROM #16~#18

- TYPICAL APPLICATION:
1. STRIP 9.53 INSULATION
  2. THREAD WIRE THROUGH HOUSING ONTO CLIP
  3. CRIMP HOUSING/TERMINAL ONTO WIRE
  4. INSERT FUSE
  5. SNAP HOUSING TOGETHER

振豐電子  
2018.08.29  
發行章

FUSE LENGTH		"L" LENGTH
22mm		53.4 Max.
25mm		57.2 Max.
32mm		61.5 Max.

UNLESS OTHERWISE SPECIFIED DIMENSIONS ARE IN mm TOLERANCE		CUSTOMER NO.	JENN FENG ELECTRIC INDUSTRIAL CO., LTD
DECIMALS X± 0.25	ANGULAR ± 2°	DRAWN BY Tim	
XX± 0.13 DO NOT SCALE DRAWING		CHECKED BY 林進有	TITLE FUSE HOLDER
 		APPROVED BY 楊肇元	PART NO. JEF-712
P/N		DATE 2018/8/22	DRAWING NO. BA04101605
REV	C	SCALE	