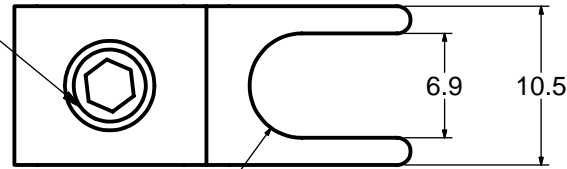
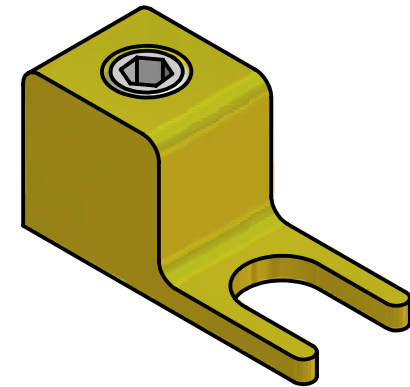


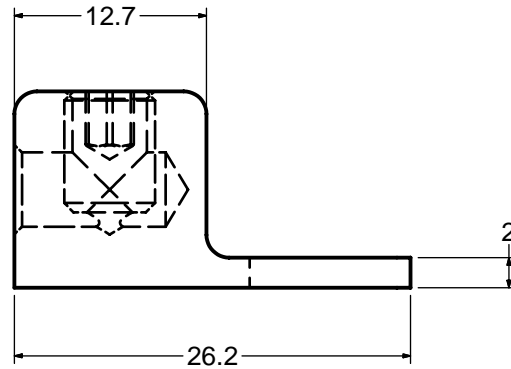
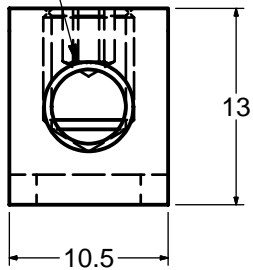
Inner Hex Screw M6X8



R3.45



M6x1 - 6H



Material:
Terminal: Brass with Gold plated
Screw: Steel with Gold plated

UNLESS OTHERWISE SPECIFIED DIMENSIONS ARE IN MM TOLERANCE DECIMALS ANGULAR X ± 0.5 ±2' XX ± 0.25 DO NOT SCALE DRAWING		CUSTOMER NO.	JENN FENG ELECTRIC INDUSTRIAL CO., LTD
		DRAWN BY <i>LING</i>	
		CHECKED BY	Terminal Connector
		APPROVED BY	
MATERIAL		DATE 2004/12/7	PART NO. JEF-537C
REV	1.0	SCALE	DRAWING NO. BA04120704