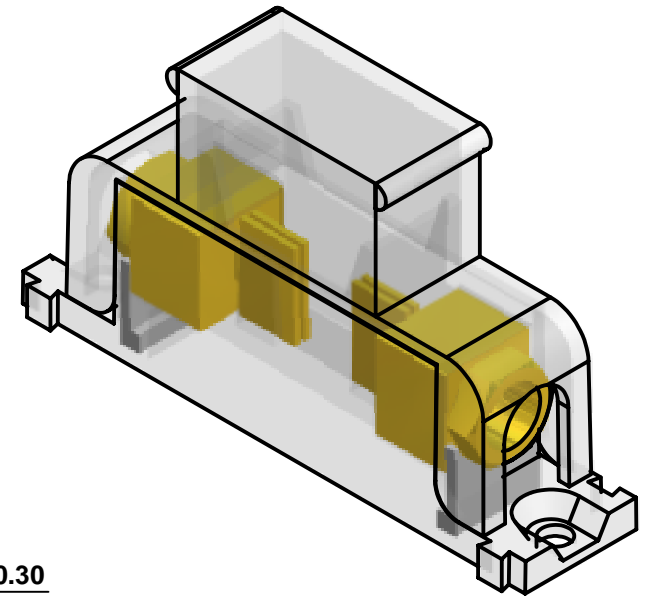
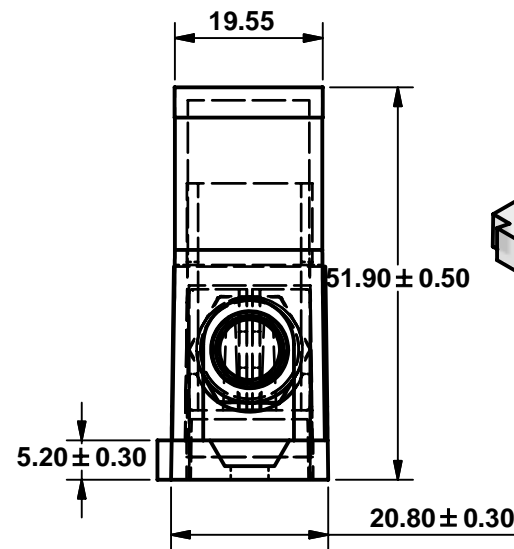
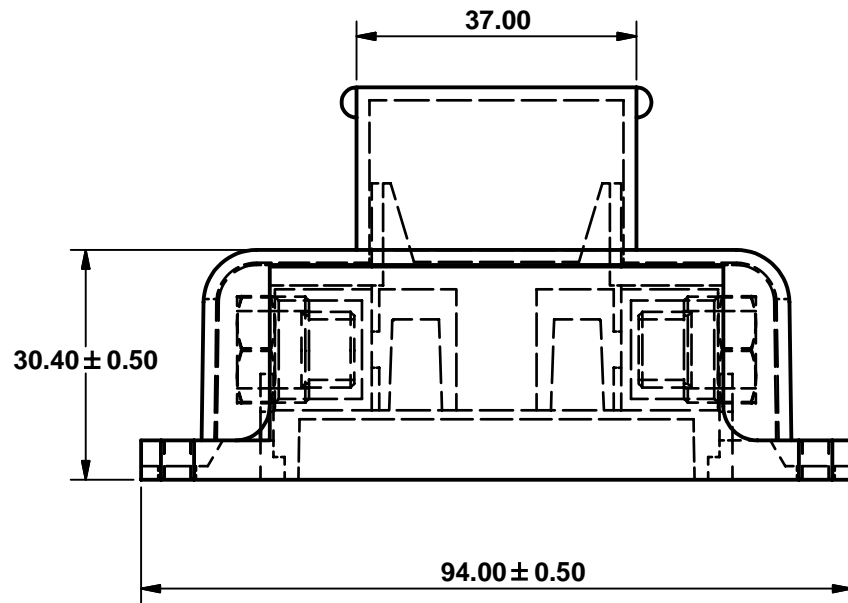
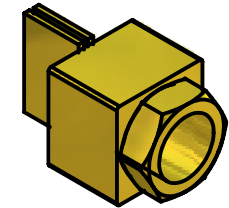
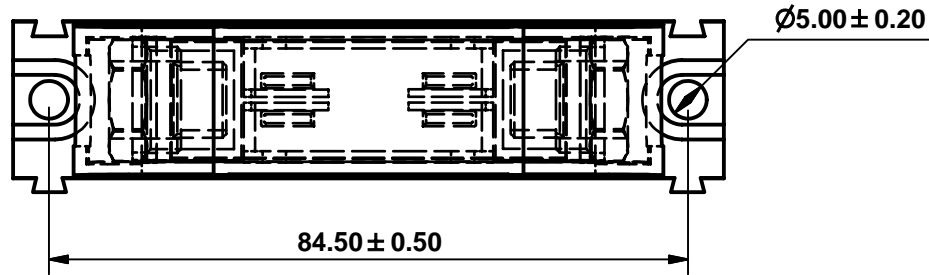




△	REV	DESTRPTION	DATE	E.C.N.
	1.0	Initial Release		



UNLESS OTHERWISE SPECIFIED DIMENSIONS ARE IN MM TOLERANCE DECIMALS ANGULAR X ± 0.5 ± 2° XX ± 0.05 DO NOT SCALE DRAWING	CUSTOMER NO.	JENN FENG ELECTRIC INDUSTRIAL CO., LTD
	DRAWN BY David	
 	CHECKED BY	ATM In-Line Fuse holder
	APPROVED BY 鄭文和	PART NO. JEF-522MV
MATERIAL	DATE 2004/7/27	DRAWING NO. BA04072601
TREATMENT	SCALE	