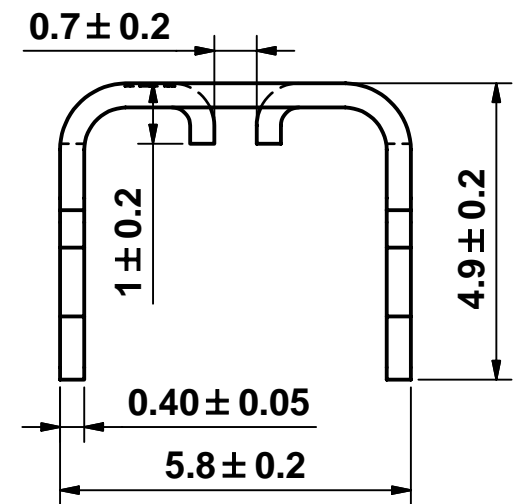
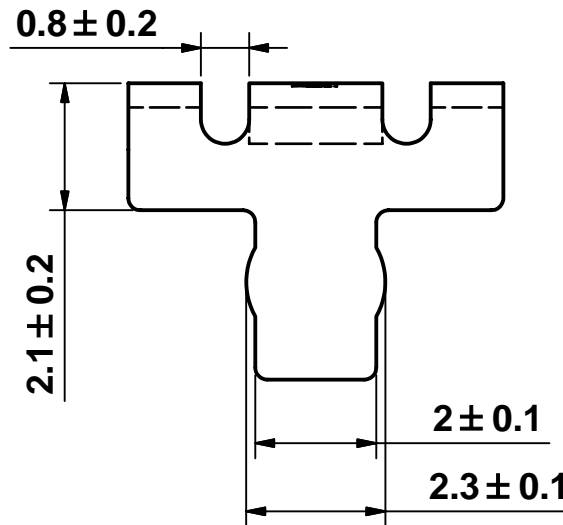
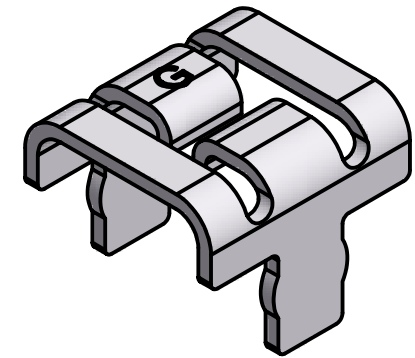
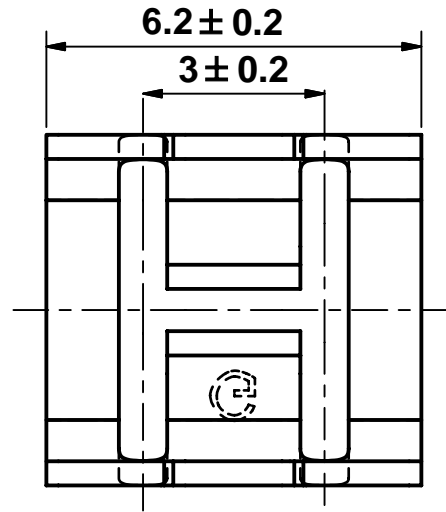


MOUNTING HOLES



FUSE CLIP P.C.BOARD TYPE FOR
ATS BLADE FUSES

SPECIFICATIONS:

- *Electrical: Rating for currents up to 15A
- *Material: Bronze Thickness: 0.4mm
- *Finish: Tin-plated or Nickel-plated
- *Ear or earless type, with axial and direction tags.

UNLESS OTHERWISE SPECIFIED DIMENSIONS ARE IN MM TOLERANCE DECIMALS ANGULAR X ± 0.5 ± 2° XX ± 0.25 DO NOT SCALE DRAWING		CUSTOMER NO.	JENN FENG ELECTRIC INDUSTRIAL CO., LTD
		DRAWN BY 施素玲	
		CHECKED BY	FUSE CLIPS
		APPROVED BY	
MATERIAL		DATE 2004/11/8	PART NO. JEF-506G
REV	1.1	SCALE	DRAWING NO. AA04110801