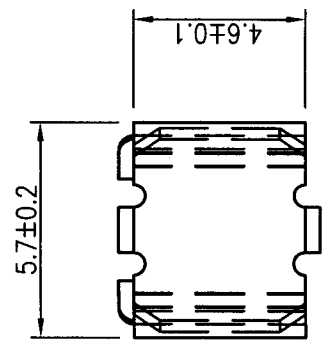
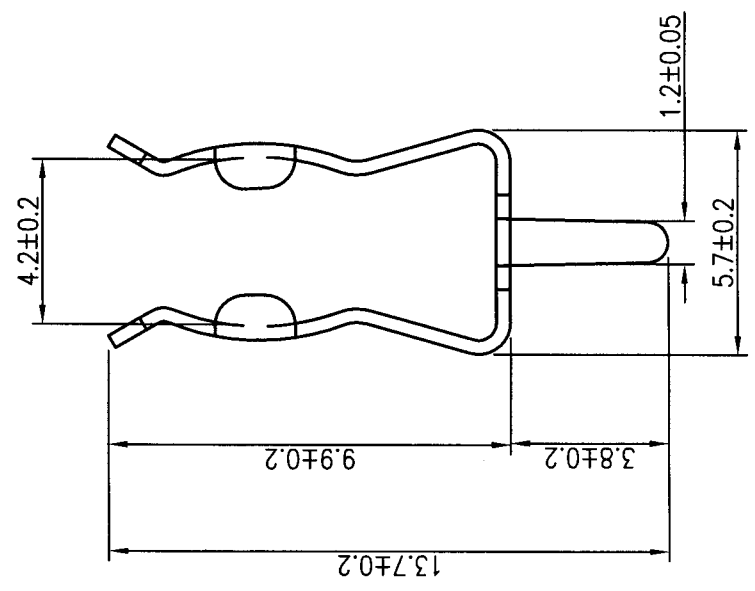
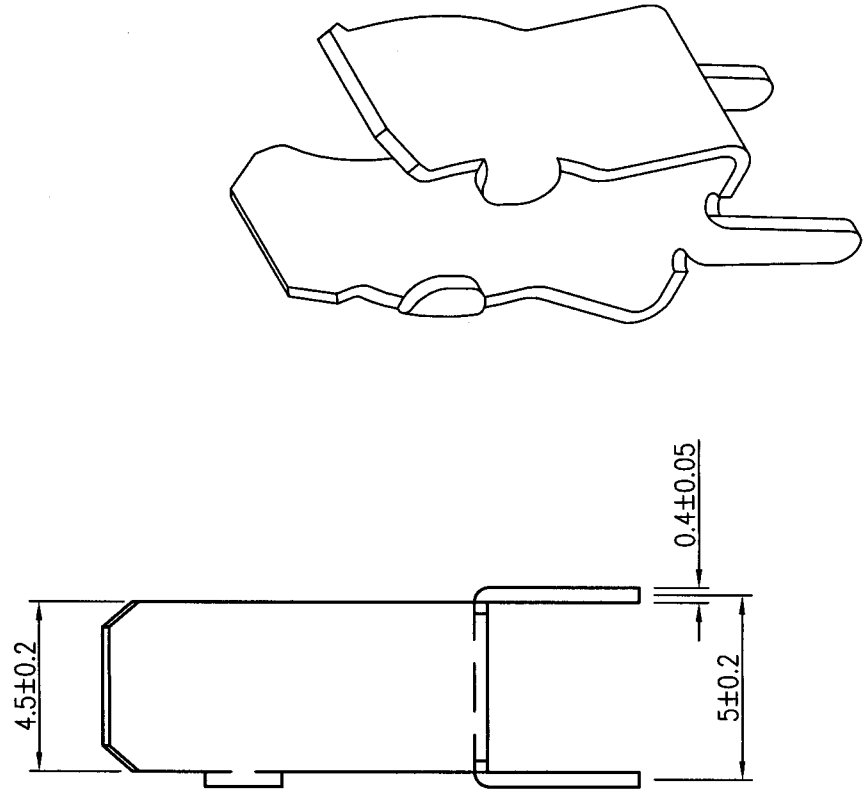


	REV	DESCRIPTION	DATE	E.C.N.
	1.0	Initial Release		



JENN FENG ELECTRIC INDUSTRIAL CO., LTD.		TITLE	
CUSTOMER NO.		FUSE CLIPS	
DRAWN BY 江育聰		PART NO. JEF-501A	
CHECKED BY 劉望		DRAWING NO. AA03111500	
APPROVED BY 鄭文和		DATE 11/15/03	
UNLESS OTHERWISE SPECIFIED DIMENSIONS ARE IN MM		SCALE	
TOLERANCE		MATERIAL	
DECIMALS X ± 0.5		TREATMENT	
ANGULAR ± 1°			
XX ± 0.05			
DO NOT SCALE DRAWING			