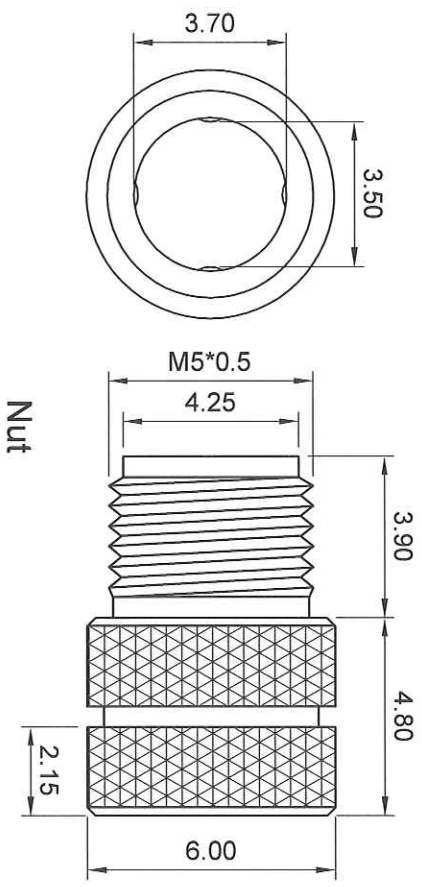
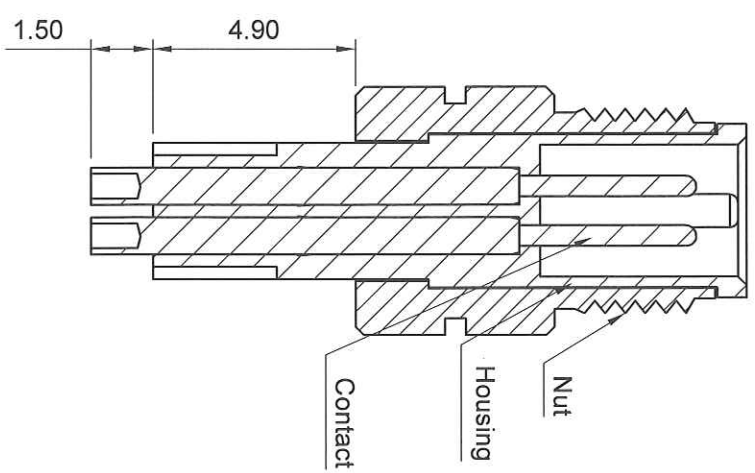
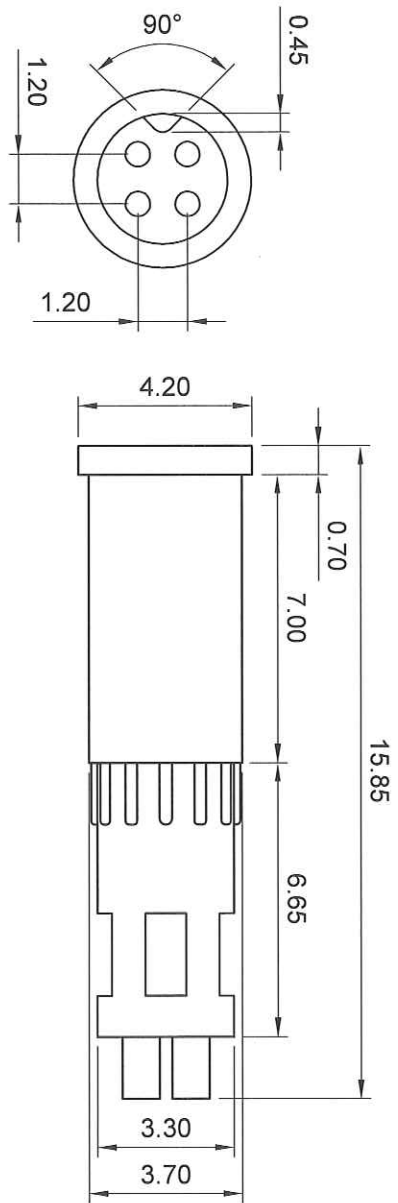


HSF  
Compliant

**JAWS CO., LTD.**  
2012.12.13  
Approved  
Validity: One Month

12/13  
P 世 14



**Specifications**  
 Current & Voltage Rating : 1A & 60V  
 Water Proof : IP67  
 Operating Temperature : -20°C ~ +85°C  
 Housing Material : TPU (Black)  
 Contact Material : Brass  
 Nut Material : Brass  
 Contact Finish : Gold flash micro inches min.  
 Nut Finish : See table  
 Packing : Tray

| Part No.      | Plated       |
|---------------|--------------|
| WPM504MS001-1 | Satin Nickel |
| WPM504MS001-2 | Black Cr     |

**JAWS** 兆旭股份有限公司  
**JAWS CO., LTD.**  
 7F., No. 31, Ln. 169, Kangning St., Xizhi Dist.,  
 New Taipei City 221, Taiwan (R.O.C.)  
 TEL: 886-2-2692-2898  
 FAX: 886-2-2692-2618  
 Http://www.jaws.com.tw

| SIZE:               | THIRD ANGLE PROJECTION | DESIGN UNITS | TITLE:                          | GENERAL TOLERANCES: | DRAWN    | DATE       |
|---------------------|------------------------|--------------|---------------------------------|---------------------|----------|------------|
| A4                  | SCALE: FREE            | mm □ INCH    | M5-4 Soldering Type (Male)      | X.X ±0.20           | 林峻吉      | 2012/12/13 |
| CPN:                | SHEET: 1/1             |              | PARTS NO.: WPM504MS001-X        | X.XX ±0.10          | CHECKED  | DATE       |
| DAN NO.: S10112-018 |                        |              | DWG NO.: JAWS-SOP-WPM504MS001-X | X.XXX ±0.05         | APPROVED | DATE       |
|                     |                        |              | REV. X1                         | ANGLE ±1°           |          |            |