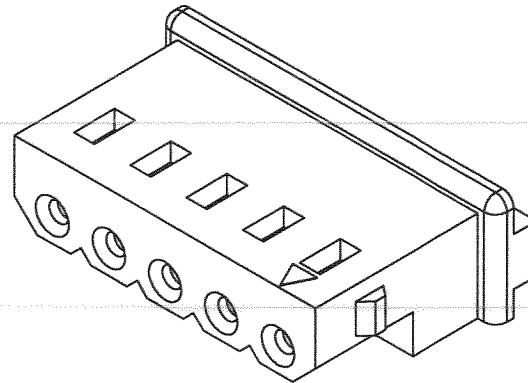
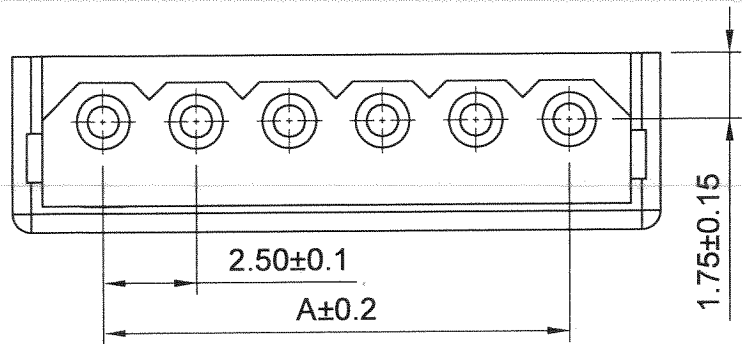
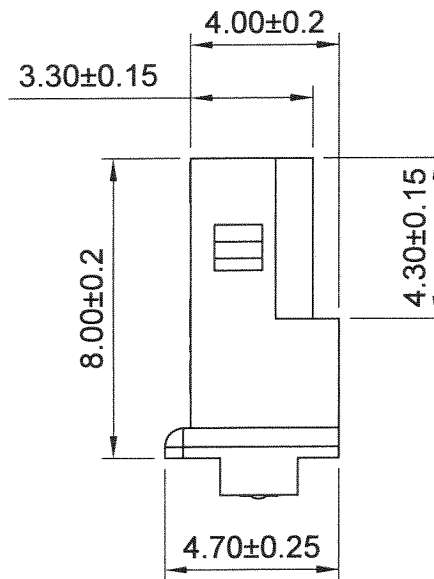
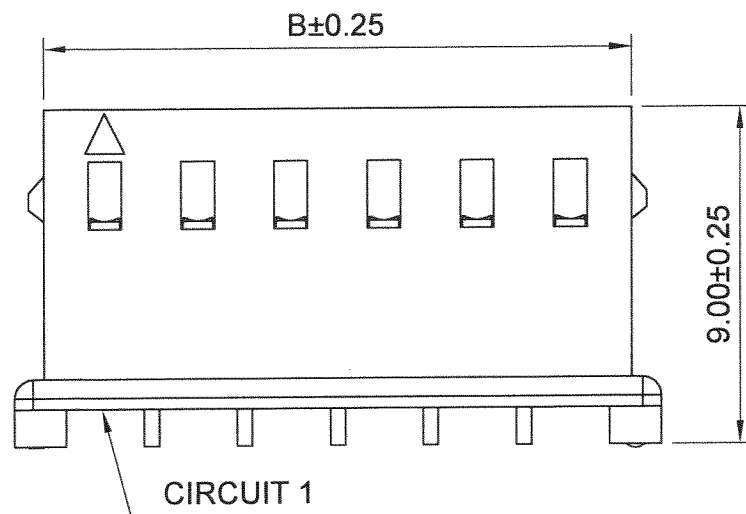


RoHS  
Compliant  
2002/95/EC



**SPECIFICATIONS**

CURRENT RATING : 3A AC,DC  
 VOLTAGE RATING : 250V AC,DC  
 TEMPERATURE RANGE : -25°C ~ +85°C  
 CONTACT RESISTANCE : 20 mΩ MAX.  
 INSULATION RESISTANCE : 1000 MΩ MIN.  
 WITHSTANDING VOLTAGE : 1000V AC/MINUTE  
 MATERIAL : NYLON 66, UL 94V-0  
 PANTONE COLOR : 7506C



PART NO.	DIMENSIONS (mm)	
	A	B
250D-02P	2.50	5.80
250D-03P	5.00	8.30
250D-04P	7.50	10.80
250D-05P	10.00	13.30
250D-06P	12.50	15.80
250D-07P	15.00	18.30
250D-08P	17.50	20.80
250D-09P	20.00	23.30
250D-10P	22.50	25.80
250D-11P	25.00	28.30
250D-12P	27.50	30.80
250D-13P	30.00	33.30
250D-14P	32.50	35.80
250D-15P	35.00	38.30
250D-16P	37.50	40.80

**JAWS** 兆旭股份有限公司  
JAWS CO., LTD.

7F-1, NO.31, Lane 169, Kang Ning Street,  
Hsichih, Taipei Hsien, Taiwan.  
TEL: 886-2-2692-2898  
FAX: 886-2-2692-2618  
Http://www.jaws.com.tw



THIRD ANGLE  
PROJECTION

DESIGN UNITS  
mm INCH

TITLE:  
2.50mm HOUSING

GENERAL TOLERANCES:

DRAWN

游熾瑩

DATE 97/11/28

SIZE: A4 SCALE: FREE SHEET: 1/1

PARTS NO.: 250D-xxP

X.X ±0.25  
X.XX ±0.15  
X.XXX ±0.05  
ANGLE ±N/A

CHECK

Wang

DATE 97/11/28

CPN NO.:  
DAN NO.: S9711-048

DWG NO.: JAWS-SOP-250D004

REV. 01

APPROVE

陳世堂

DATE 97.12.1