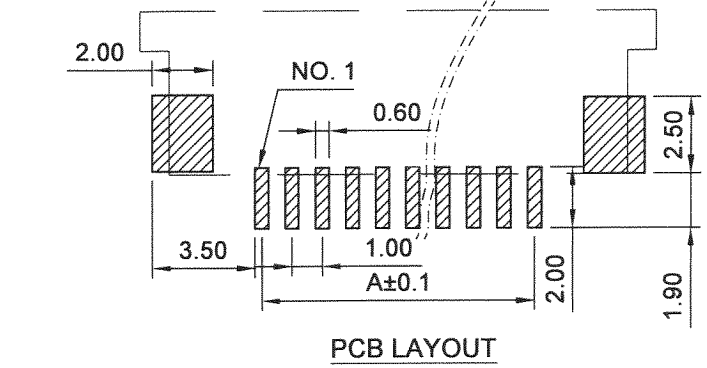
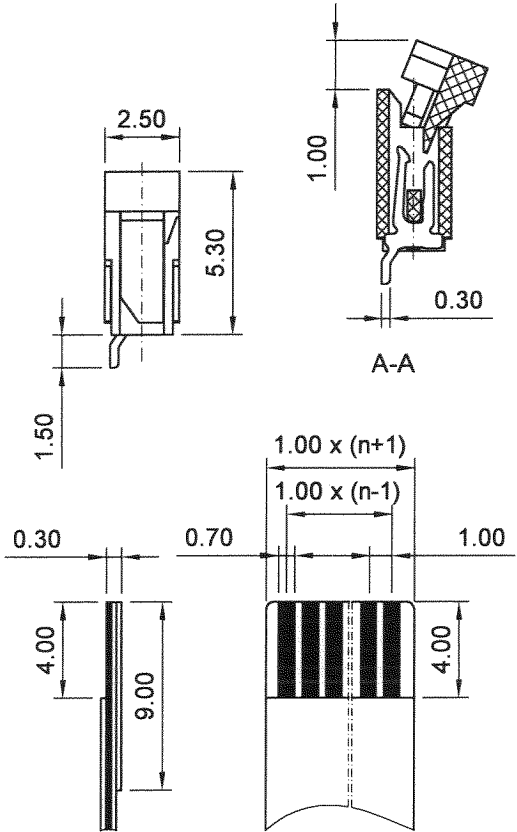
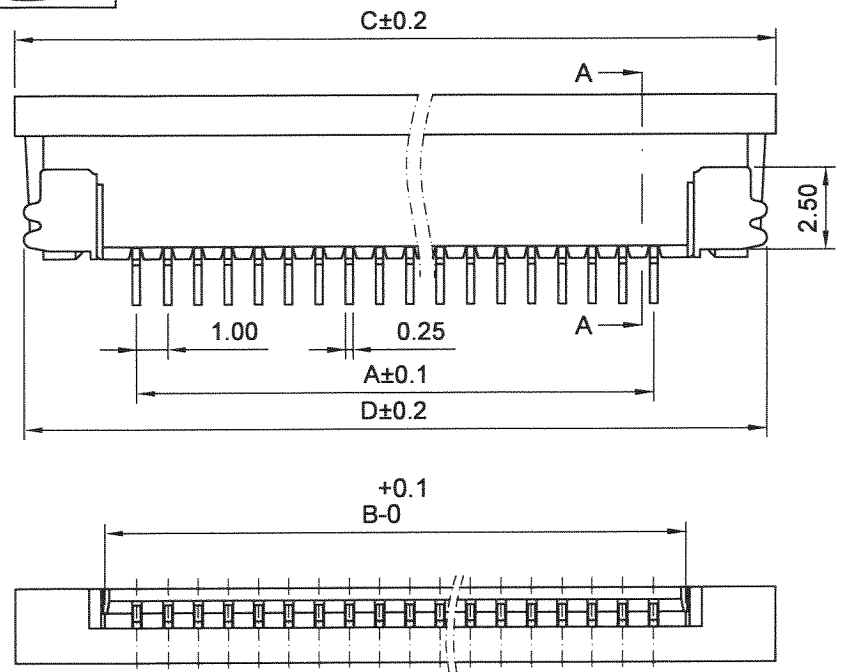


RoHS
Compliant
2002/95/EC



DIM. TABLE				
CONTACTS	A	B	C	D
4	3.00	5.30	11.10	10.10
5	4.00	6.30	12.10	11.10
6	5.00	7.30	13.10	12.10
7	6.00	8.30	14.10	13.10
8	7.00	9.30	15.10	14.10
9	8.00	10.30	16.10	15.10
10	9.00	11.30	17.10	16.10
11	10.00	12.30	18.10	17.10
12	11.00	13.30	19.10	18.10
13	12.00	14.30	20.10	19.10
14	13.00	15.30	21.10	20.10
15	14.00	16.30	22.10	21.10
16	15.00	17.30	23.10	22.10
17	16.00	18.30	24.10	23.10
18	17.00	19.30	25.10	24.10
19	18.00	20.30	26.10	25.10
20	19.00	21.30	27.10	26.10
21	20.00	22.30	28.10	27.10
22	21.00	23.30	29.10	28.10
23	22.00	24.30	30.10	29.10
24	23.00	25.30	31.10	30.10
25	24.00	26.30	32.10	31.10
26	25.00	27.30	33.10	32.10
27	26.00	28.30	34.10	33.10
28	27.00	29.30	35.10	34.10
29	28.00	30.30	36.10	35.10
30	29.00	31.30	37.10	36.10
31	30.00	32.30	38.10	37.10
32	31.00	33.30	39.10	38.10
33	32.00	34.30	40.10	39.10
34	33.00	35.30	41.10	40.10
35	34.00	36.30	42.10	41.10

性能：
 額定電流：0.5A
 額定電壓：50V
 耐電壓：<20mΩ
 絕緣阻抗：800MΩ
 工作溫度：-25°C~+85°C

主體(材質)：PA46, UL 94V-0
 CAP(材質)：PPS, UL 94V-0
 端子(材質)：磷青銅, 鍍錫
 耳子(材質)：磷青銅, 鍍錫

JAWS 兆旭股份有限公司
 JAWS CO., LTD.
 7F-1, NO.31, Lane 169, Kang Ning Street,
 Hsichih, Taipei Hsien, Taiwan.
 TEL: 886-2-2692-2898
 FAX: 886-2-2692-2618
 Http://www.jaws.com.tw

THIRD ANGLE PROJECTION
 DESIGN UNITS: mm INCH
 SIZE: A4 SCALE: FREE SHEET: 1/1
 CPN NO.: DAN NO.: S9707-079

TITLE: ZIP FPC 1.0mm SMT CONN.
 HORIZONTAL SIDE ENTRY TYPE LOWER CONTACT
 PARTS NO.: FP3ZLBxxTT0T
 DWG NO.: JAWS-SOP-FP3Z006
 REV: 01

GENERAL TOLERANCES: ±0.30

DRAWN	游熾瑩	DATE	97/07/30
CHECK	郭峰	DATE	97.7.30
APPROVE	陳世官	DATE	97.7.31