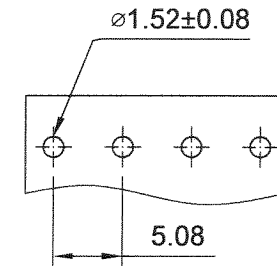
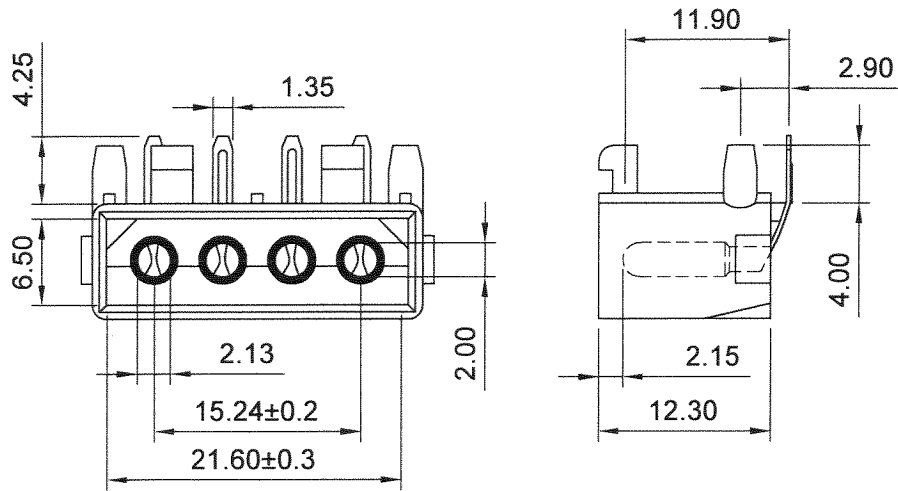
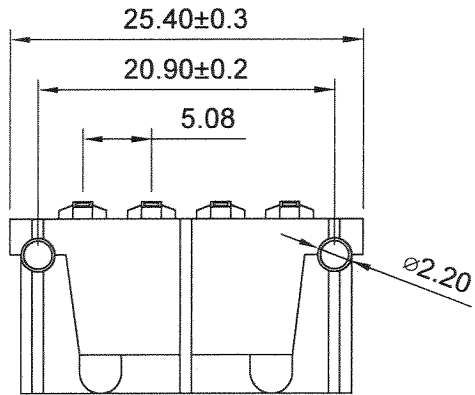


RoHS  
Compliant  
2002/95/EC



P.C. Board Layout

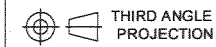
FEATURES :

- . HOUSING [UL 94V-0] NYLON 66
- . TERMINAL, BRASS, .084" [2.13mm] DIA.:
- PLATING, ELECTRO-TIN/COPPER

SPECIFICATIONS :

- . CURRENT RATING : 7A AC. DC
- . VOLTAGE RATING : 250V AC. MAXIMUM
- . TEMPERATURE RANGE : -25°C ~ +85°C .
- . CONTACT RESISTANCE : INITIAL VALUE/10mΩ MAX.  
AFTER ENVIRONMENTAL TESTING  
/20mΩ MAX.
- . INSULATION RESISTANCE : 5000MΩ MIN
- . WITHSTAND VOLTAGE : 1500V AC/MINUTE
- . APPLICABLE PC BOARD THICKNESS : .063" [1.6mm]

**JAWS**® 兆旭股份有限公司  
JAWS CO., LTD.  
7F-1, NO.31, Lane 169, Kang Ning Street,  
Hsichih, Taipei Hsien, Taiwan.  
TEL: 886-2-2692-2898  
FAX: 886-2-2692-2618  
Http://www.jaws.com.tw



THIRD ANGLE  
PROJECTION

DESIGN UNITS  
mm □ INCH

SIZE: A4  
SCALE: FREE  
SHEET: 1/1

CPN NO.:  
DAN NO.: S9611-024

TITLE:  
5.08mm POWER PLUG

PARTS NO.:  
4508B-TR-04

DWG NO.:  
JAWS-SOP-4508B002

REV.  
01

GENERAL TOLERANCES:  
±0.30

DRAWN	游熾瑩	DATE	96/11/07
CHECK	郭坤峰	DATE	96/11/17
APPROVE	Wang	DATE	96.11.10