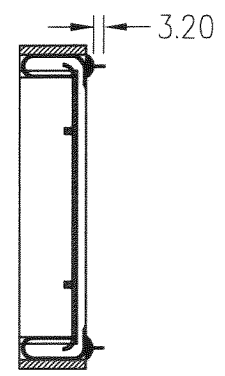
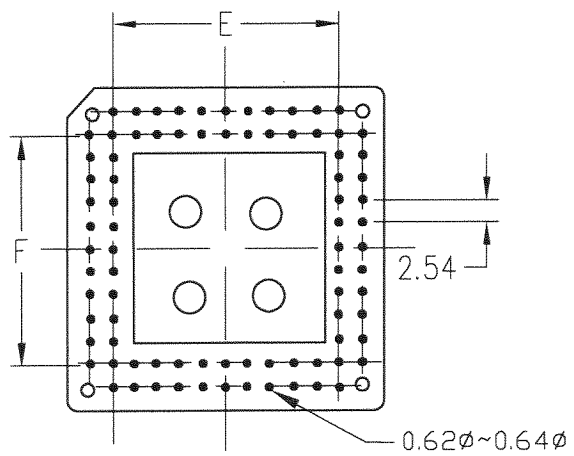


NO OF CONTACT	A	B	C	D	E	F
20	15.50	15.50	5.08	5.08	5.08	5.08
28	18.04	18.04	7.62	7.62	7.62	7.62
32	18.04	20.54	7.62	10.16	7.62	10.16
44	23.48	23.48	12.70	12.70	12.70	12.70
52	25.88	25.88	15.24	15.24	15.24	15.24
68	31.04	31.04	20.32	20.32	20.32	20.32
84	36.04	36.04	25.40	25.40	25.40	25.40



INSULATOR MATERIAL : PPS (UL 94V-0)
 CONTACT RESISTANCE : 30MΩ MAX
 CURRENT RATING : 1 AMP
 DIELECTRIC WITHSTANDING VOLTAGE : AC 500V FOR 1 MINUTE
 OPERATING TEMPERATURE : -40° ~ + 85°C
 INSULATOR RESLALANCE : 1000 MΩ MIN AT DC 500V