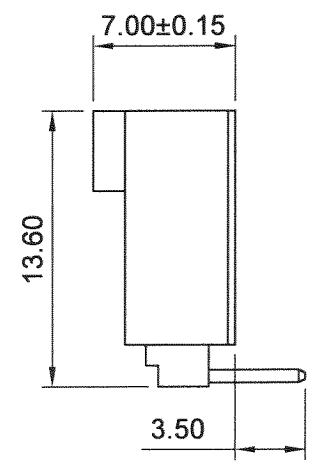
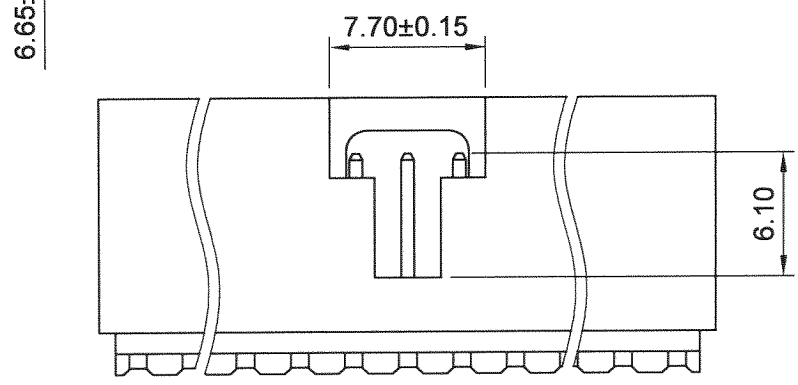
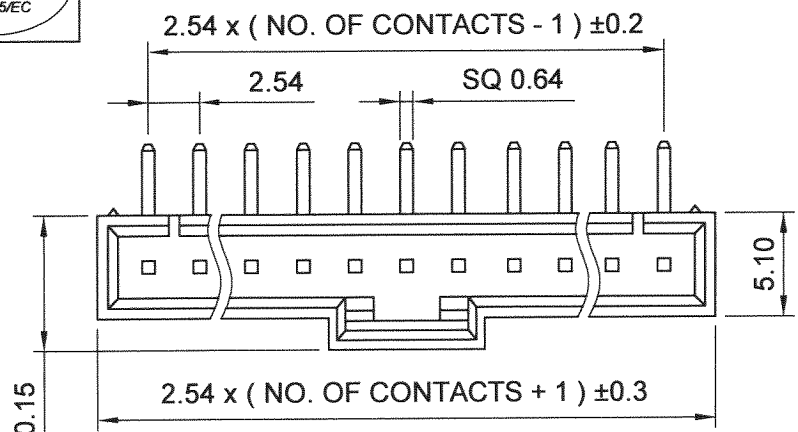


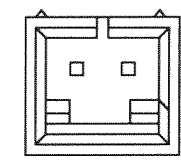
RoHS
Compliant
2002/95/EC

POLES : 2-18
MATERIAL : INSULATOR : PBT UL94V-0 BLACK
CONTACT : 0.64mm SQUARE PIN, BRASS
MATES WITH CH2543 SERIES HOUSING

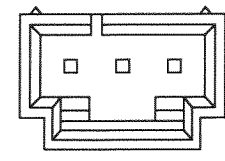
SPECIFICATIONS
CURRENT RATING : 2.5A AC, DC
VOLTAGE RATING : 250V AC, DC
TEMPERATURE RANGE : -25°C ~ +85°C
INSULATION RESISTANCE : 1000 MΩ MIN.
WITHSTAND VOLTAGE : 600 AC/MINUTE
APPLICABLE PC BOARD THICKNESS : 1.6mm



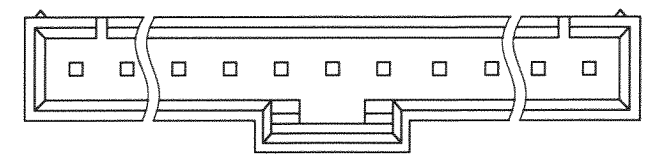
254L-WR-xxx
PLATING
G : 0.6μ" GOLD PLATING
T : 120μ" TIN PLATING
POLES
02~18



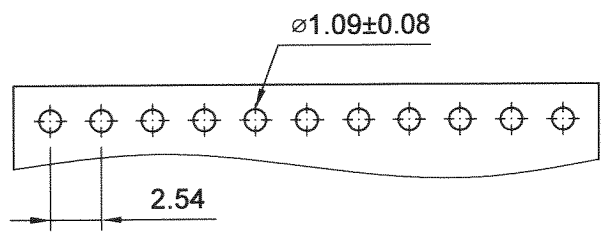
(2P)



(3P)



(4~18P)



P.C. BOARD LAYOUT

JAWS 兆旭股份有限公司
JAWS CO., LTD.
7F-1, NO.31, Lane 169, Kang Ning Street,
Hsichih, Taipei Hsien, Taiwan.
TEL: 886-2-2692-2898
FAX: 886-2-2692-2618
Http://www.jaws.com.tw

THIRD ANGLE PROJECTION		DESIGN UNITS mm INCH
SIZE: A4	SCALE: FREE	SHEET: 1/1
CPN NO.:		DWG NO.:
DAN NO.: S9708-006		REV. 01

TITLE: 2.54mm SINGLE ROW HEADER	
PARTS NO.: 254L-WR-xxx	
DWG NO.: JAWS-SOP-254L004	

GENERAL TOLERANCES: ±0.30	DRAWN	游熾瑩	DATE	97/08/08
	CHECK	郭坤峰	DATE	97.8.8
	APPROVE	陳世寬	DATE	97.8.11