

RoHS
Compliant
2002/95/EC

SPECIFICATION

MATERIAL :

INSULATOR : UL 94V-0 NYLON 66

ENVIRONMENTAL :

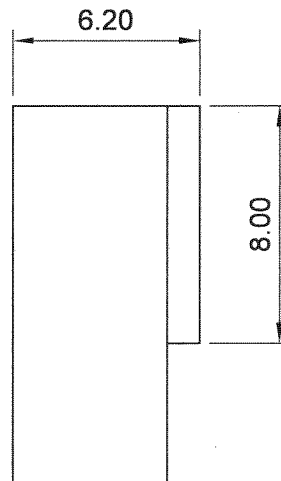
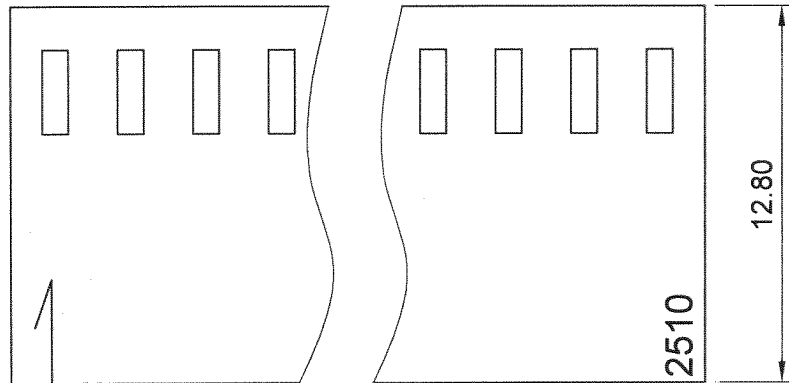
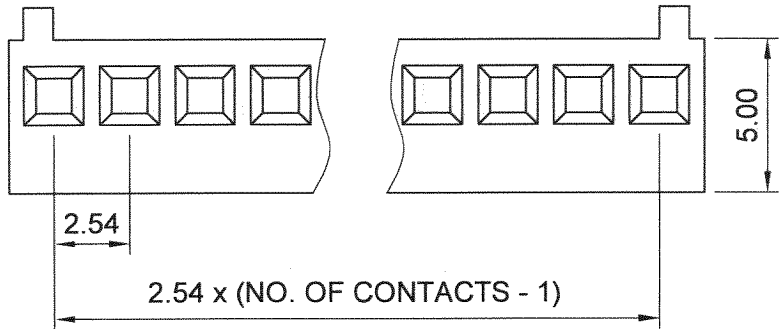
CURRENT RATING : 2.5A

OPERATING VOLTAGE : AC 250V RMS.

DIELECTRIC WITHSTANDING VOLTAGE : AC 1000V RMS FOR 1 MINUTE

INSULATION RESISTANCE : 1000 MΩ MIN.

CONTACT RESISTANCE : 12 MILLIONHMS MAX.



254K SERIES

JAWS 兆旭股份有限公司
JAWS CO., LTD.

7F-1, NO.31, Lane 169, Kang Ning Street,
Hsichih, Taipei Hsien, Taiwan.
TEL:886-2-2692-2898
FAX:886-2-2692-2618
Http://www.jaws.com.tw

THIRD ANGLE PROJECTION

DESIGN UNITS
mm INCH

TITLE:

2.54mm HOUSING

GENERAL TOLERANCES:

±0.30

DRAWN

游熾瑩

DATE 96/01/16

SIZE:

A4

SCALE:

FREE

SHEET:

1/1

PARTS NO.:

254K-xxP

CHECK

李如益

DATE 96.01.17

CPN NO.:

DAN NO.: S9601-025

DWG NO.:

JAWS-SOP-254K002

REV.

01

APPROVE

陳世官

DATE 96.1.18