

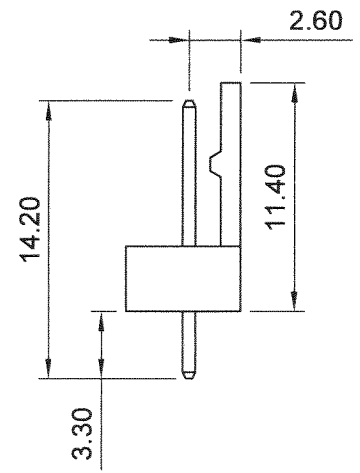
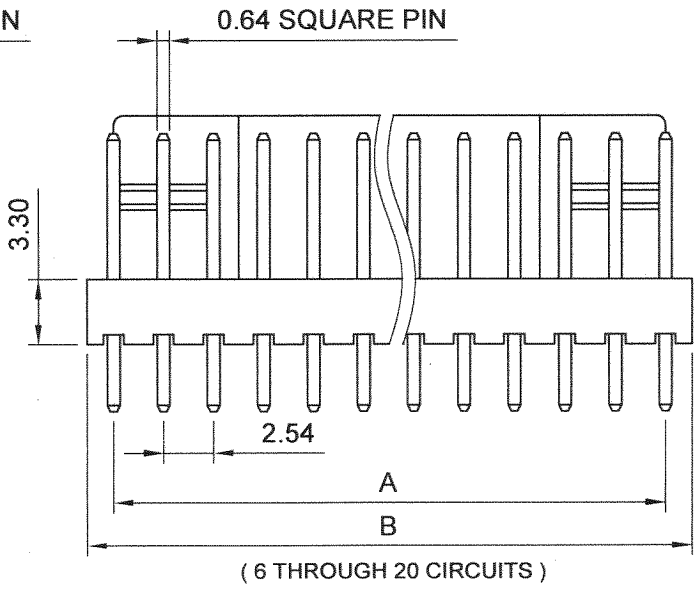
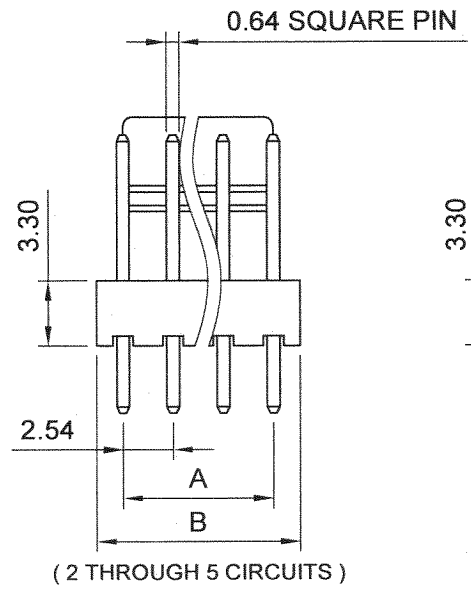
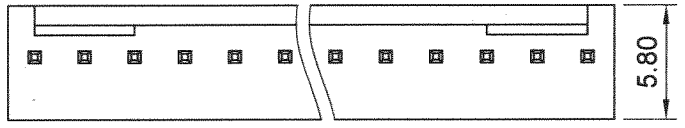
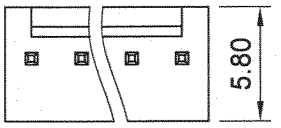
**RoHS**  
Compliant  
2002/95/EC

**SPECIFICATION**

CURRENT RATING : 3A  
INSULATOR RESISTANCE : 1000 MEGOHMS MIN.  
CONTACT RESISTANCE : 20 MILLIOHMS MAX.  
DIELECTRIC WITHSTANDING : 1000V AC/MINUTE  
OPERATING TEMPERATURE : -40°C TO +105°C

**MATERIAL**

CONTACT MATERIAL : BRASS  
INSULATOR MATERIAL : POLYESTER UL94V-2  
STANDARD : NYLON 66  
FINISH : GOLD OR TIN PLATED



POLES	DIMENSION	
	A	B
2	2.54	5.08
3	5.08	7.62
4	7.62	10.16
5	10.16	12.70
6	12.70	15.24
7	15.24	17.78
8	17.78	20.32
9	20.32	22.86
10	22.86	25.40
11	25.40	27.94
12	27.94	30.48
13	30.48	33.02
14	33.02	35.56
15	35.56	38.10
16	38.10	40.64
17	40.64	43.18
18	43.18	45.72
19	45.72	48.26
20	48.26	50.80

254K-WS-xxT

**JAWS** 兆旭股份有限公司  
JAWS CO., LTD.  
7F-1, NO.31, Lane 169, Kang Ning Street,  
Hsichih, Taipei Hsien, Taiwan.  
TEL:886-2-2692-2898  
FAX:886-2-2692-2618  
Http://www.jaws.com.tw

THIRD ANGLE PROJECTION		DESIGN UNITS mm INCH
SIZE: A4	SCALE: FREE	SHEET: 1/1
CPN NO.:		DWG NO.:
DAN NO.: S9601-023		JAWS-SOP-254K001

TITLE: 2.54mm WAFER STRAIGHT	GENERAL TOLERANCES: ±0.30
PARTS NO.: 254K-WS-xxT	REV.: 01

DRAWN	游熾瑩	DATE	96/01/16
CHECK	李如益	DATE	96.01.16
APPROVE	陳世寬	DATE	96.1.17