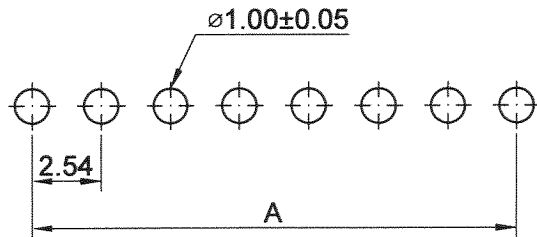
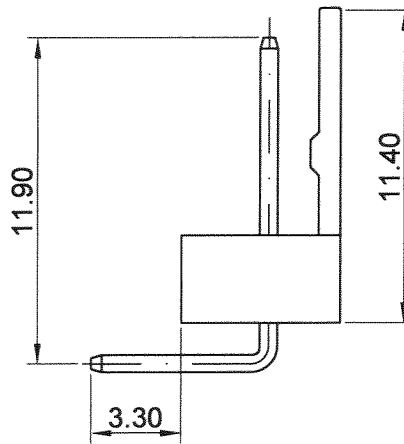
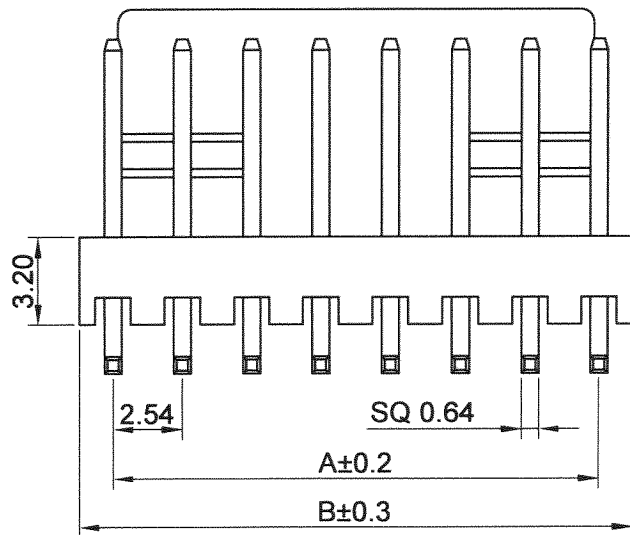
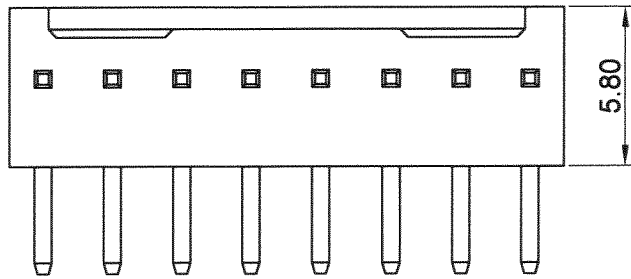


RoHS
Compliant
2002/95/EC



RECOMMENDED P.C. BOARD HOLE DIMM.

FEATURES AND SPECIFICATIONS FEATURES AND BENEFITS

SIZE 2 TO 20 CIRCUITS

ELECTRICAL

CURRENT RATING : 3A AC, DC

VOLTAGE RATING : 250V AC / MAX.

INSULATION RESISTANCE : 1000 MΩ / MIN.

DIELECTRIC WITHSTANDING VOLTAGE : 1500V AC / MIN.

CONTACT RESISTANCE : 10 mΩ / MAX.

OPERATING TEMP : -25°C ~ +85°C

PHYSICAL

MATERIAL : NYLON 66, UL 94V-2

TERMINAL MATERIAL : BRASS / TIN-PLATED / GOLD-PLATED

PARTS NO.	DIM (mm)	
	A	B
254K-WR-02T-F	2.54	5.12
254K-WR-03T-F	5.08	7.66
254K-WR-04T-F	7.62	10.20
254K-WR-05T-F	10.16	12.74
254K-WR-06T-F	12.70	15.30
254K-WR-07T-F	15.24	17.94
254K-WR-08T-F	17.78	20.48
254K-WR-09T-F	20.32	23.02
254K-WR-10T-F	22.86	25.58
254K-WR-11T-F	25.40	28.12
254K-WR-12T-F	27.94	30.68
254K-WR-13T-F	30.48	33.10
254K-WR-14T-F	33.02	35.80
254K-WR-15T-F	35.56	38.34
254K-WR-16T-F	38.10	40.94
254K-WR-17T-F	40.64	43.30
254K-WR-18T-F	43.18	45.90
254K-WR-20T-F	48.26	50.80

JAWS 兆旭股份有限公司
JAWS CO., LTD.

7F-1, NO.31, Lane 169, Kang Ning Street,
Hsichih, Taipei Hsien, Taiwan.
TEL: 886-2-2692-2898
FAX: 886-2-2692-2618
Http://www.jaws.com.tw

THIRD ANGLE
PROJECTION

DESIGN UNITS
mm INCH

SIZE: A4 SCALE: FREE SHEET: 1/1

CPN NO.:
DAN NO.: S9705-031

TITLE: 2.54mm Wire-to-Board Header
DIP 90° Type (反彎)

PARTS NO.:
254K-WR-xxT-F

DWG NO.:
JAWS-SOP-254K004

GENERAL TOLERANCES:

±0.30

DRAWN	游熾瑩	DATE	97/05/21
CHECK		DATE	97.5.21
APPROVE	陳世官	DATE	97.5.26