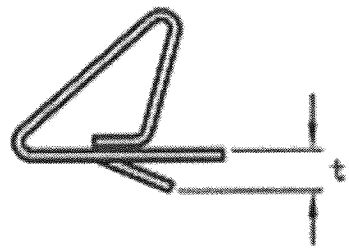
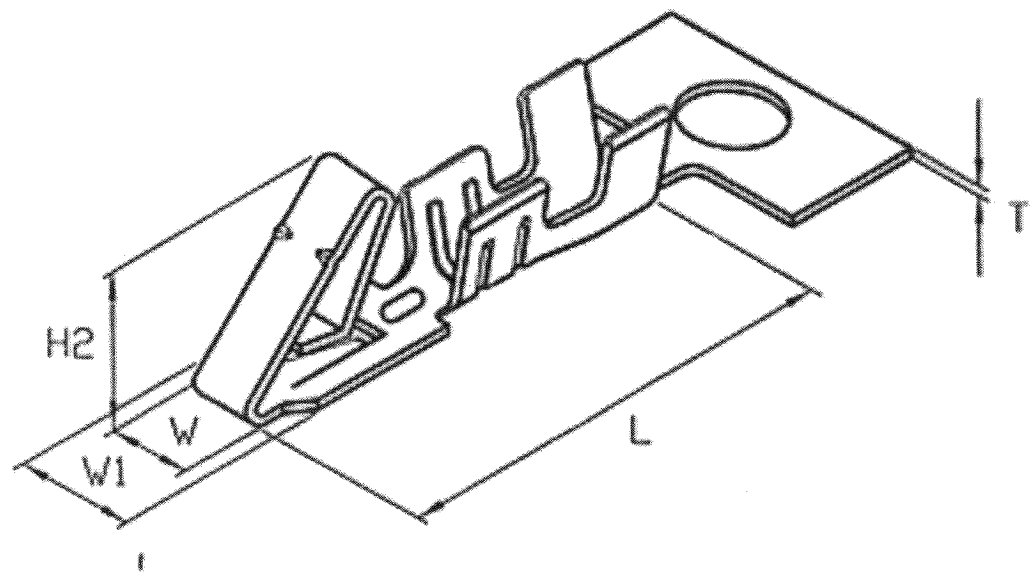


**RoHS**  
Compliant  
2002/95/EC

MATERIAL: BRASS  
 THICKNESS: 0.2  
 PLATING: TIN 40μ' MIN.  
 INSULATION O.D.: 1.57 MAX.  
 WIRE RANGE: (AWG) #24-28  
 VOLTAGE RATING: AC/250V, DC/350V  
 CURRENT RATING: AC, DC, 3A  
 FIRST INSERTION FORCE: 0.25KG MAX. PER CIRCUIT  
 SIXTH WITHDRAWAL FORCE: 0.06KG MIN. PER CIRCUIT  
 SQUARE OR ROUND PIN SIZE: 0.025" (0.63MM)  
 TEMPERATURE RANGE: -25°C TO +85°C



DIMENSION: (MM)  
 T: 0.2 ± 0.03  
 L: 9.7 ± 0.25  
 W: 1.3 ± 0.1  
 W1: 1.95 ± 0.1  
 H2: 3.0 ± 0.5  
 t: 0.9 ± 0.25

**JAWS** 兆旭股份有限公司  
 JAWS CO., LTD.  
 7F-1, NO.31, Lane 169, Kang Ning Street,  
 Hsichih, Taipei Hsien, Taiwan.  
 TEL: 886-2-2692-2898  
 FAX: 886-2-2692-2618  
 Http://www.jaws.com.tw

THIRD ANGLE PROJECTION		DESIGN UNITS <input checked="" type="checkbox"/> mm <input type="checkbox"/> INCH
SIZE: A4	SCALE: FREE	SHEET: 1/1
CPN NO.:		DWG NO.: JAWS-SOP-254K003
DAN NO.: S9610-047		REV. 01

TITLE: 2.54 CRIMPING TERMINAL	GENERAL TOLERANCES: ±0.30
PARTS NO.: 254K-T	

DRAWN	游熾瑩	DATE	96/10/26
CHECK		DATE	96/10/26
APPROVE		DATE	96.10.30