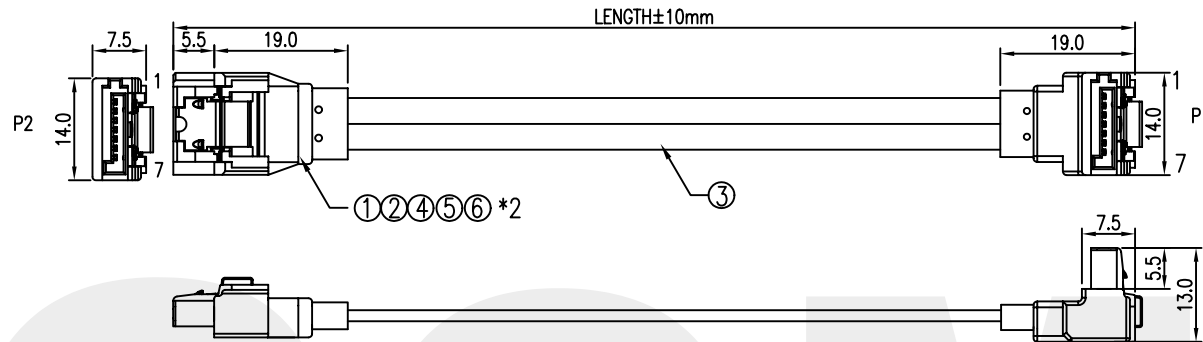


CUSTOMER APPROVED:

DATE:



ORDERING INFORMATION

EX: 2 2 1 0 2 6 K X XX X X X X -G

STANDARD SATA SIGNAL CABLE

CABLE TYPE

26: SATA SIGNAL WITH LATCH CABLE

CABLE CONSTRUCTION

K: (26AWG*1P+A)*2 8 SHAPE TYPE

PLATING CODE

5: GOLD 15u"

COLOR CODE

20: RED

LENGTH (cm)

OPTION CODE (SEE NOTE 1)

GREEN PRODUCT (RoHS COMPLIANT)

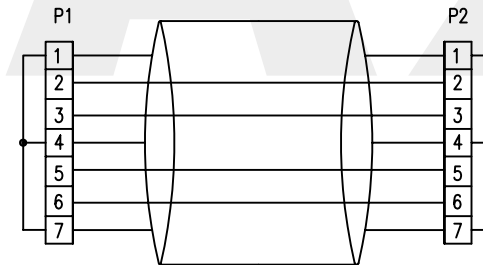
- 1. High Frequency Characteristic :**
- 1-1 Impedance : 100±15 ohm (Mated Connector)
 - 1-2 Attenuation : 6 dB Max. (10MHz~4500MHz)
 - 1-3 Crosstalk(NEXT) : -26 dB Max. (10MHz~4500MHz)
 - 1-4 Intra Pair Skew : 10 ps Max.
 - 1-5 Rise Time : 85 ps Max.
- 2. Cable Assembly Test Condition :**
- 2-1 Open / Short : 100%
 - 2-2 Insulation Resistance : 5M ohm
 - 2-3 Contact Resistance : 1 ohm
 - 2-4 Hipot : DC 300V
- 3. Compliant Test Report :**
- 3-1 Refer to Serial ATA Product Specification

NOTE 1: OPTION CODE

0	180° + 180°	
1	90° + 90°	
2	180° + 90°	

ie. Drawing above shows option code NO.2 (180°+90°).

WIRING DIAGRAM :



CONFIDENTIAL

NO.	PART NO.	DESCRIPTION	VENDER	QTY	UNIT/REF
6	AP0305B081-G	PE5150 PREMOLD	VA106C	2	1.5g
5	GF004-G	WIRE CLAMP	CMX	2	
4	AP00310000-G	PVC OVERMOLD BLACK 80°C 45P	VA107C	2	3.25g
3	DG0114320M4-G	SATA SIGNAL CABLE UL2725 (26AWG*1P+A)*2 8 SHAPE TYPE RED	CMX	1	XXXmm
2	CD011450D00-G	SATA RECEPTACLE LATCH	CMX	2	P1,P2
1	CD011452A035-G	SATA SIGNAL RECEPTACLE CRIMP TYPE WITH LATCH CONNECTOR	CMX	2	P1,P2

BILL OF MATERIAL

A	NONE	INITIAL RELEASE	03/01/06	
REV.	ECN#	DESCRIPTION	DATE	
		TITLE: SATA SIGNAL WITH LATCH CABLE		
		DRAW TPE	ALAN	03/01/06
CONFIRM KPE			CUS. P/N:	221026KXXXXXXXX-G
CONFIRM DPE	Yunxi-Teng	03/01/06	CUS.	CMX
APPROVAL TSL	GORDEN	03/01/06	SHEET 1 TO 1	