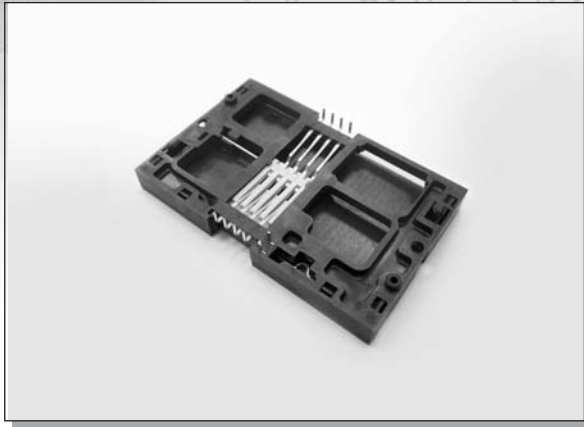


C-TEK SMART CARD 8P PROFILE 6.8MM LANDING DIP



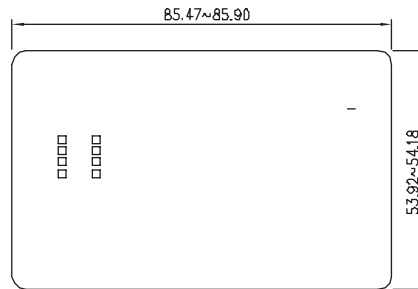
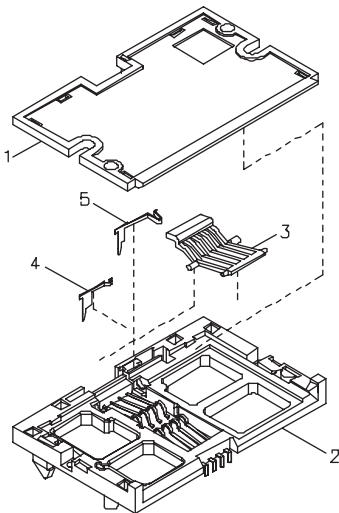
MATERIAL:

BASIC : PBT-UL94-D.
 COVER : PBT-UL94V-0.
 CLUTCH : PPS-UL94V-0.

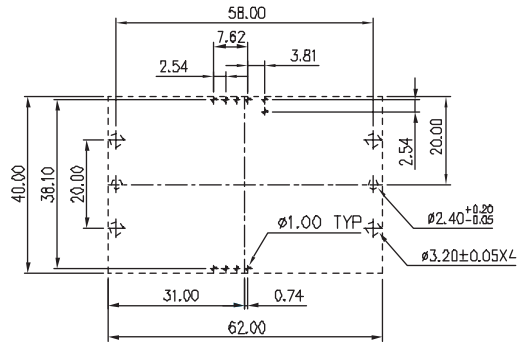
SPECIFICATION:

VOLTAGE RATING : 50V DC MAX.
 CURRENT RATING : 0.5A MAX.
 OPERATING TEMPERATURE : -20°C ~ +80°C
 INSULATION RESISTANCE : 1000 MΩ MIN.
 CONTACT RESISTANCE : 100 MΩ MAX.

DIMENSIONS



Thickness 0.68~0.84 mm
 Contact location refer to ISO 7816 part 2
 Card Size refer FMV



LAYOUT Tolerance±0.05

HOW TO ORDER

SERIES NO.	CONTACT NO.	CONTACT TYPE	PLATING	SWITCH	HOUSING PROFILE
9002	8 8P	L L: LANDING DIP	S S: SELECTIVE GOLD PLATED S1: SELECTIVE GOLD 15u" S2: SELECTIVE GOLD 30u"	O O: OPEN	6.8 6.8MM