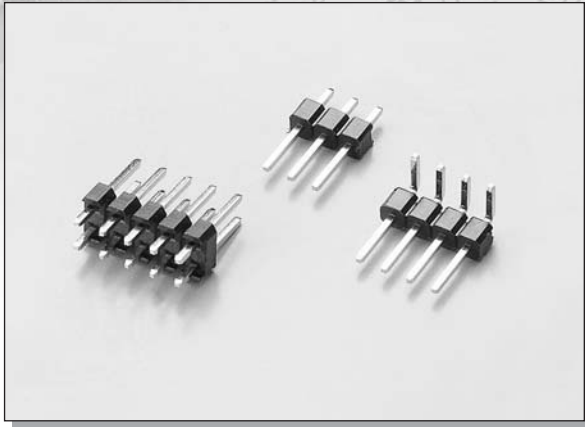


C-TEK 2.54MM PITCH PIN HEADER



MATERIAL:

INSULATOR : PBT + 30% GLASS FIBER,
UL 94V-0 RATED.

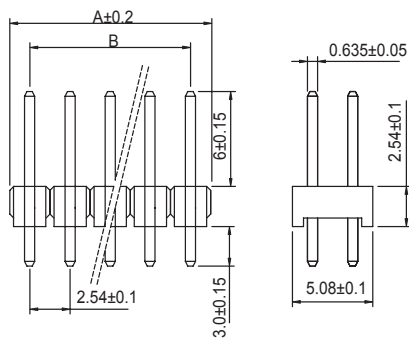
CONTACT : BRASS.

ELECTRICAL CHARACTERISTICS:

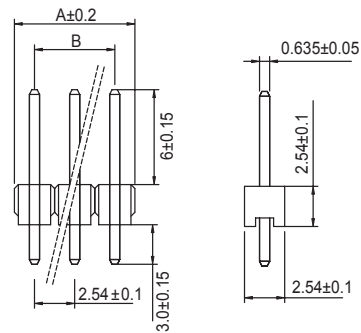
CURRENT RATING : 1 AMP.
WITHSTANDING VOLTAGE : AC 750V R.M.S.
INSULATOR RESISTANCE : 5000 MEGOHMS MIN.
CONTACT RESISTANCE : 20 MILLIOHMS MAX.
OPERATING TEMPERATURE : -55°C ~ +105°C

DIMENSIONS

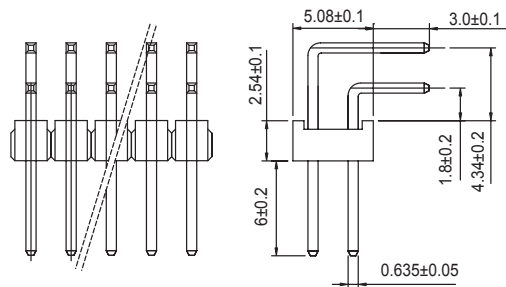
DOUBLE ROWS-STRAIGHT



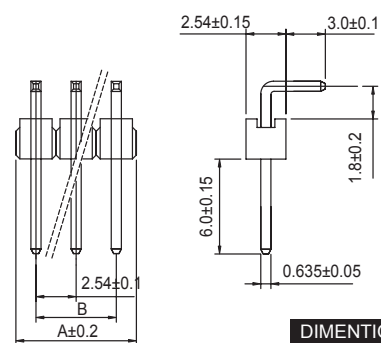
SINGLE ROW-STRAIGHT



DOUBLE ROWS-RIGHT ANGLE



SINGLE ROW-RIGHT ANGLE



DIMENSIONS

A=2.54 x No. of Positions
B=2.54 x (No. of Position-1)

HOW TO ORDER

SERIES NO.	CONTACT NO.	CONTACT TYPE	PLATING	HOUSING MATERIAL	REMOVE PIN
5001	2 x 6	R	G	P	1
	1 x 2P ~ 1 x 40P 2 x 2P ~ 2 x 40P	R: R/A S: STRAIGHT M: SMT	G: GOLD PLATED	P: PBT H: HIGH TEMP.	BLANK: FULL PIN 1-80P (pls indicate remove pin no.)