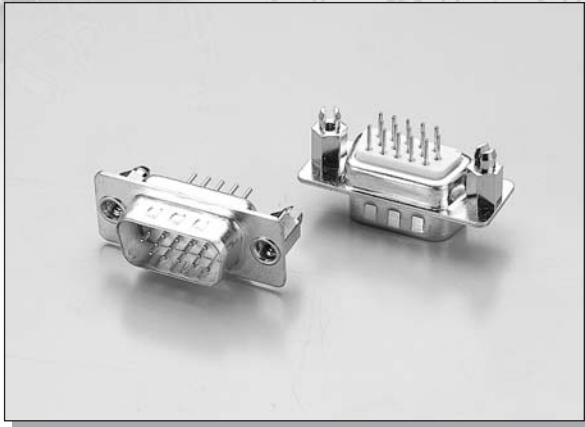


# C-TEK D-SUB P.C.B. H.D. STRAIGHT DIP TYPE



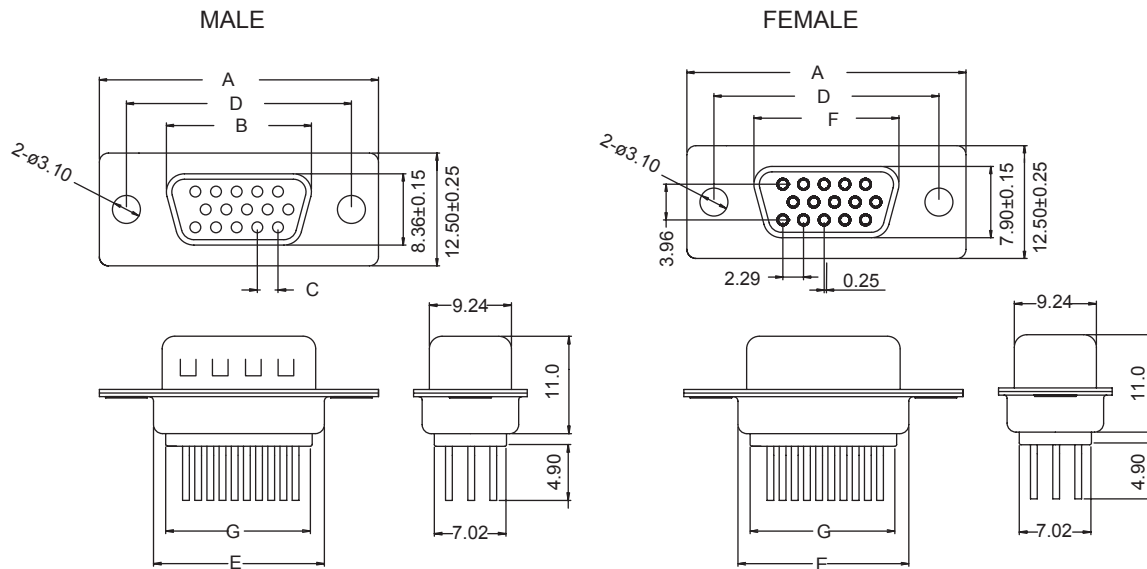
## MATERIAL:

INSULATOR : PBT + 30% GLASS FIBER (UL94V-0).  
 CONTACT : PHOSPHOR BRONZE OR BRASS.  
 (STANDARD IS BRASS)

## ELECTRICAL CHARACTERISTICS:

CURRENT RATING : 5 AMPS.  
 WITHSTANDING VOLTAGE : AC 1250V R.M.S.  
 INSULATOR RESISTANCE : 5000 MEGOHMS MIN. AT 500V DC.  
 CONTACT RESISTANCE : 15 MILLIOHMS MAX.  
 OPERATING TEMPERATURE : -55°C ~ +105°C

## DIMENSIONS



POSITION	A	B	C	D	E	F	G
15	30.08	16.90	2.29	24.99	19.30	16.30	15.42
26	39.10	26.60	2.29	33.32	27.50	24.70	23.82
44	53.00	39.00	2.29	47.04	41.30	38.40	37.50
62	69.30	55.40	2.41	63.50	57.70	54.80	53.92

## HOW TO ORDER

SERIES NO.	CONTACT NO.	CONTACT TYPE	PLATING	ACCESSORIES	COLOR	HOUSING MATERIAL
<b>1011</b>	<b>9</b>	<b>F</b>	<b>S</b>	<b>1</b>	<b>B</b>	<b>P</b>
	15 26 44 62 78	F: FEMALE M: MALE	G: GOLD FLASH OVER NICKEL PLATED S: SELECTIVE GOLD PLATED	1: W/O BOARDLOCK, NUT, SCREW 2: W/FRONT NUT 3: W/REAR NUT 4: W/BOARDLOCK 5: W/SCREW, BOARDLOCK	B: BLACK W: WHITE	P: PBT H: HIGH TEMP