



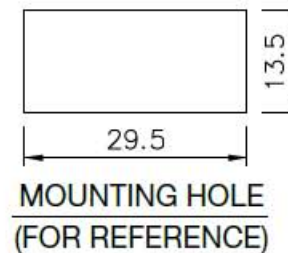
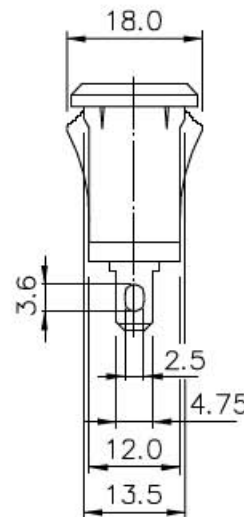
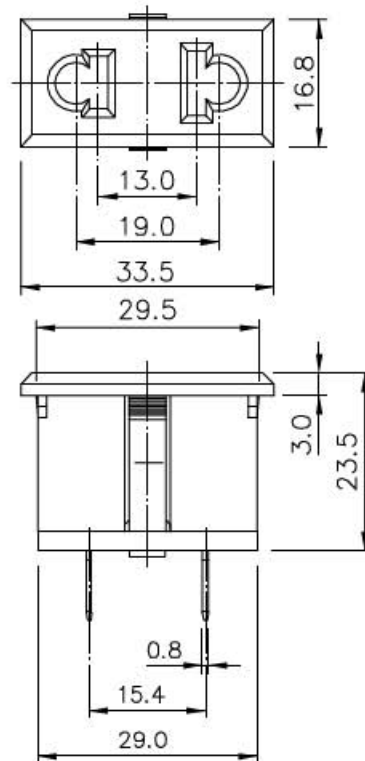
Socket (Connector)



SPECIFICATION

RATING	: 15A 125VAC , 10A 250VAC
INSULATION RESISTANCE	: DC 500V 100MΩ OR MORE
WITHSTAND VOLTAGE	: AC 1500V FOR 1 Min
AMBIENT TEMPERATURE	: 0°C TO 55°C

**3539
SERIES**



PANEL THICKNESS 0.8~2.0 mm