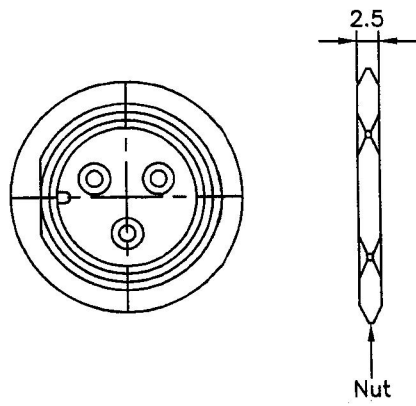
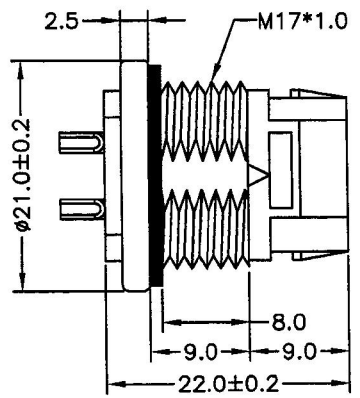
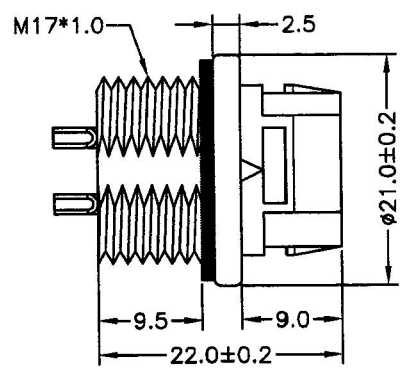
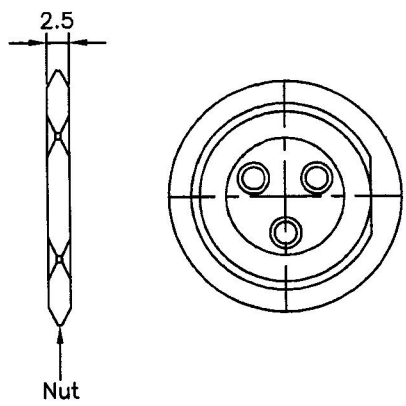


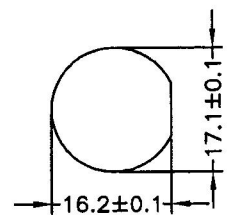
P/N: LJ125XXXSM-XX-PI-D
MOUNT INNER TYPE 內鎖

P/N: LJ125XXXSM-XX-PE-D
MOUNT OUTER TYPE 外鎖



MATERIAL
Insulator: NYLON66 UL94V-0 +GF Black
Contact: Brass Gold 2u" over nickel plated

SPECIFICATIONS
Current Rating:
180SM=2P~3P(10A AC. DC)
100SM=4P~6P(5A AC. DC)
210SM=2P+5P(7A+3A)
075SM=10P~18P(2A AC. DC)

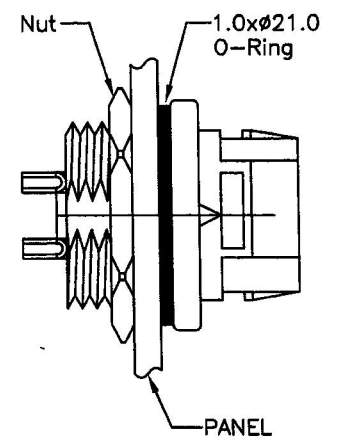


RECOMMENDED PANEL CUT-OUT
Applicable Panel Board Thickness:
2.0~4.0mm

ORDER CODE

LJ125 XXXSM - XX - PE - D

SERIES _____
PIN OPTION _____
NO. OF CONTACT _____
PE=MOUNT OUTER TYPE _____
PI=MOUNT INNER TYPE _____
D=W/DUST COVER _____
N=W/O DUST COVER _____



Panel Assembly Type

CIRCUITS	2P	3P	4P	5P	6P	2+5P	18P
ARRANGEMENT OF CONTACT							
SERIES	LJ125180SM-02	LJ125180SM-03	LJ125100SM-04	LJ125100SM-05	LJ125100SM-06	LJ125210SM-07	LJ125075SM-18

<p>詮盛企業股份有限公司 CHIEN SHERN ENTERPRISE CO.,LTD.</p>	TITLE	QUICK PULL IN-OUT WATER PROOF CONNECOR MALE PIN PANAL MOUNT INNER&OUTER TYPE	TOLERANCE	DRAWN	許建華	DATE	2011.05.25		
	PART NO.	LJ125XXXSM-XX-PE-D	DIM.	CHECK		DATE			
	DWG.NO.	LJ125XXXSM-XX-PE-D	.0 ±0.30	APPROVE		DATE			
			.00 ±0.20	SCALE		UNIT	mm	REV.	01