

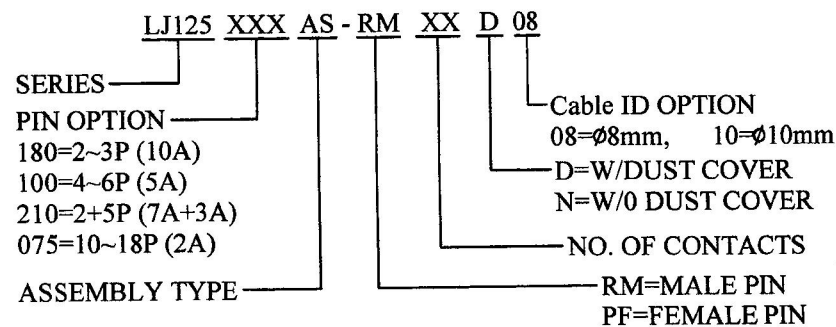
MATERIAL:

Insulator: NYLON66 UL94V-0+GF Black
 Contact: Brass Gold 2u" over nickel plated

NOTES:

- 1.ASSEMBLY TOTAL LENGTH 57.0±2.0
- 2.WATERPROOF RATE:IP68
- 3.UV RESIST

ORDERING CODE



CIRCUITS	2P	3P	4P	5P	6P	2+5P	18P
ARRANGEMENT OF CONTACT							
SERIES	LJ125180-02	LJ125180-03	LJ125100-04	LJ125100-05	LJ125100-06	LJ125210-07	LJ125075-18

詮盛企業股份有限公司 CHIEN SHERN ENTERPRISE CO.,LTD.	TITLE	QUICK PULL IN-OUT WATER PROOF CONNECTOR MALE PIN ASS'Y	TOLERANCE	DRAWN	許建華	DATE	2011.05.25		
	PART NO.	LJ125XXXAS-RMXXD08	DIM.	CHECK		DATE			
	DWG.NO.	LJ125XXXAS-RMXXD08	.0 ±0.30	APPROVE		DATE			
			.00 ±0.20	SCALE		UNIT	mm	REV.	01