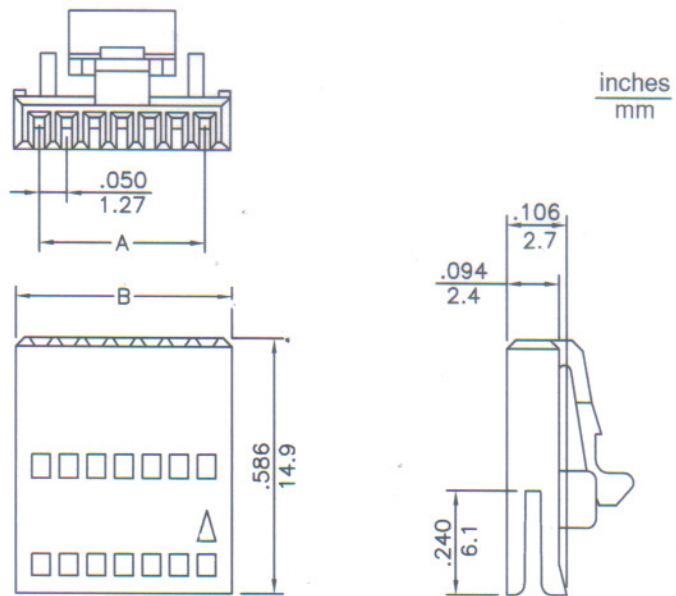


# .050"(1.27mm) pitch FFC/FPC connectors



## HF1270B Series

- \* Poles: 6 ~ 30
  - \* Material: PBT or PA66 94V-0 Black
  - \* Suitable TF1270T series terminal
- Specifications
- \* Current rating: 1A AC, DC
  - \* Voltage rating: 100V AC, DC
  - \* Temperature range: -25°C~+85°C



CIRCUITS	PART NO.	DIMENSION		CIRCUITS	PART NO.	DIMENSION	
		A	B			A	B
6	HF1270B-06	0.250(6.35)	0.342(8.69)	19	HF1270B-19	0.900(22.86)	0.992(25.20)
7	HF1270B-07	0.300(7.62)	0.392(9.96)	20	HF1270B-20	0.950(24.13)	1.042(26.47)
8	HF1270B-08	0.350(8.89)	0.442(11.23)	21	HF1270B-21	1.000(25.40)	1.092(27.74)
9	HF1270B-09	0.400(10.16)	0.492(12.50)	22	HF1270B-22	1.050(26.67)	1.142(29.01)
10	HF1270B-10	0.450(11.43)	0.542(13.77)	23	HF1270B-23	1.100(27.94)	1.192(30.28)
11	HF1270B-11	0.500(12.70)	0.592(15.04)	24	HF1270B-24	1.150(29.21)	1.242(31.55)
12	HF1270B-12	0.550(13.97)	0.642(16.31)	25	HF1270B-25	1.200(30.48)	1.292(32.82)
13	HF1270B-13	0.600(15.24)	0.692(17.58)	26	HF1270B-26	1.250(31.75)	1.342(34.09)
14	HF1270B-14	0.650(16.51)	0.742(18.85)	27	HF1270B-27	1.300(33.02)	1.392(35.36)
15	HF1270B-15	0.700(17.78)	0.792(20.12)	28	HF1270B-28	1.350(34.29)	1.442(36.63)
16	HF1270B-16	0.750(19.05)	0.842(21.39)	29	HF1270B-29	1.400(35.56)	1.492(37.90)
17	HF1270B-17	0.800(20.32)	0.892(22.66)	30	HF1270B-30	1.450(36.83)	1.542(39.17)
18	HF1270B-18	0.850(21.59)	0.942(23.93)				

# .050"(1.27mm) pitch FFC/FPC crimp terminal

P/N: TF1270T

Crimp Female Terminal

Mates 0.40mm square pin.

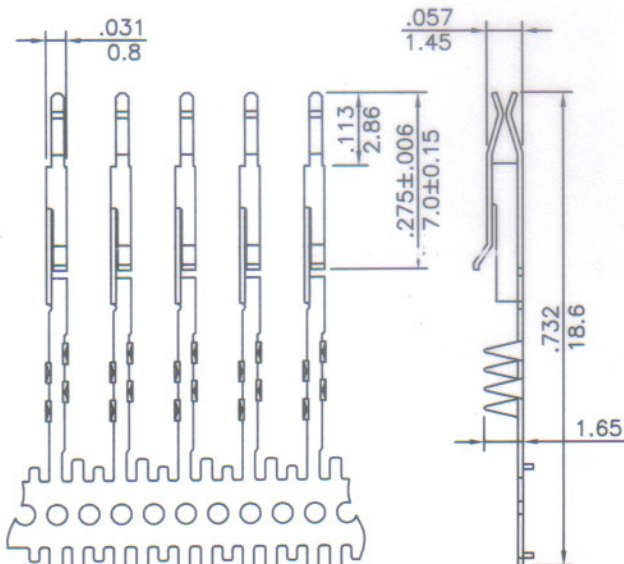
Material: Phosphor Bronze

Finished: Tin Plated

Used in HF1270B-XX series housing

Q'TY: 30,000pcs/reel

inches  
mm



P/N: TF1270B3T, TF1270B6T

Crimp Male Terminal

Suitable for flexible Solder Tab

Material: phosphor bronze

Finished: Tin Plated

Q'TY: 30,000pcs/reel

