

.050"(1.27mm) Pitch FFC/FPC Housing Connectors

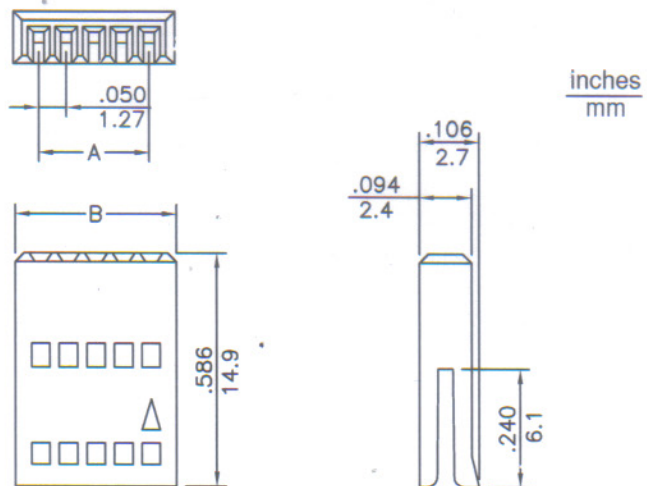


HF1270A Series

- * Poles: 2 ~ 30
- * Material: PBT UL94V-0 Black
- * Suitable TF1270T series terminal
- * Mates with P1271X-XX series pin Header

Specifications

- * Current rating: 1A AC, DC
- * Voltage rating: 100V AC, DC
- * Temperature range: -25°C ~ +85°C



CIRCUITS	PART NO.	DIMENSION		CIRCUITS	PART NO.	DIMENSION	
		A	B			A	B
2	HF1270A-02	0.050(1.27)	0.142(3.61)	17	HF1270A-17	0.800(20.32)	0.892(22.66)
3	HF1270A-03	0.100(2.54)	0.192(4.88)	18	HF1270A-18	0.850(21.59)	0.942(23.93)
4	HF1270A-04	0.150(3.81)	0.242(6.15)	19	HF1270A-19	0.900(22.86)	0.992(25.20)
5	HF1270A-05	0.200(5.08)	0.292(7.42)	20	HF1270A-20	0.950(24.13)	1.042(26.47)
6	HF1270A-06	0.250(6.35)	0.342(8.69)	21	HF1270A-21	1.000(25.40)	1.092(27.74)
7	HF1270A-07	0.300(7.62)	0.392(9.96)	22	HF1270A-22	1.050(26.67)	1.142(29.01)
8	HF1270A-08	0.350(8.89)	0.442(11.23)	23	HF1270A-23	1.100(27.94)	1.192(30.28)
9	HF1270A-09	0.400(10.16)	0.492(12.50)	24	HF1270A-24	1.150(29.21)	1.242(31.55)
10	HF1270A-10	0.450(11.43)	0.542(13.77)	25	HF1270A-25	1.200(30.48)	1.292(32.82)
11	HF1270A-11	0.500(12.70)	0.592(15.04)	26	HF1270A-26	1.250(31.75)	1.342(34.09)
12	HF1270A-12	0.550(13.97)	0.642(16.31)	27	HF1270A-27	1.300(33.02)	1.392(35.36)
13	HF1270A-13	0.600(15.24)	0.692(17.58)	28	HF1270A-28	1.350(34.29)	1.442(36.63)
14	HF1270A-14	0.650(16.51)	0.742(18.85)	29	HF1270A-29	1.400(35.56)	1.492(37.90)
15	HF1270A-15	0.700(17.78)	0.792(20.12)	30	HF1270A-30	1.450(36.83)	1.542(39.17)
16	HF1270A-16	0.750(19.05)	0.842(21.39)				

.050"(1.27mm) pitch FFC/FPC crimp terminal

P/N: TF1270T

Crimp Female Terminal

Mates 0.40mm square pin.

Material: Phosphor Bronze

Finished: Tin Plated

Used in HF1270A-XX series housing

Q'TY: 30,000pcs/reel

inches
mm

P/N: TF1270B3T, TF1270B6T

Crimp Male Terminal

Suitable for flexible Solder Tab

Material: phosphor bronze

Finished: Tin Plated

Q'TY: 30,000pcs/reel

