

.109"(2.77mm) pitch Crimp Clip D-SUB Connector



MATERIAL

* Insulator: Glass Filled NYLON

ELECTRICAL

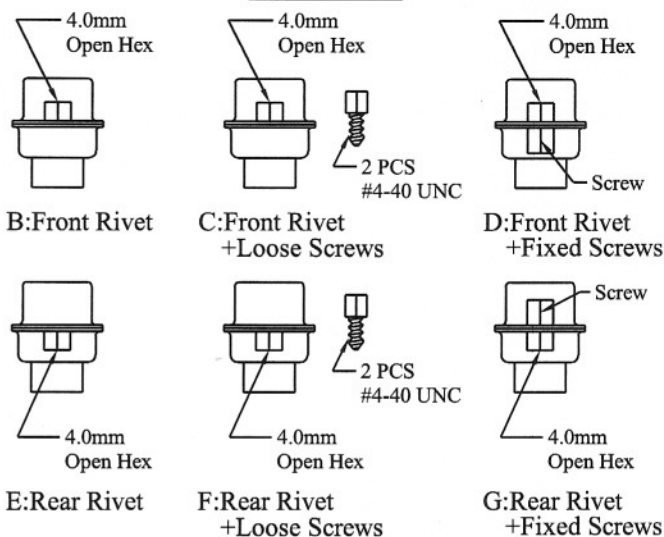
* Current rating: 3Amp

* Temperature range: -40°C~+105°C

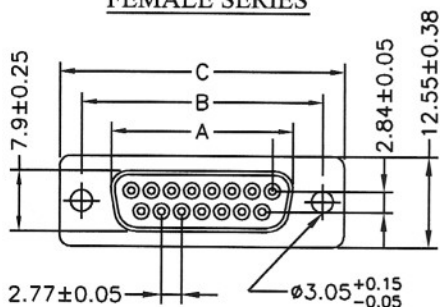
* Voltage: 500 Volts Rms 60 HZ

* Insulation resistance: 1,000 Megohms

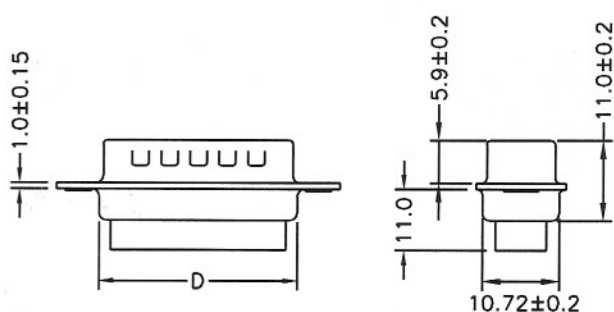
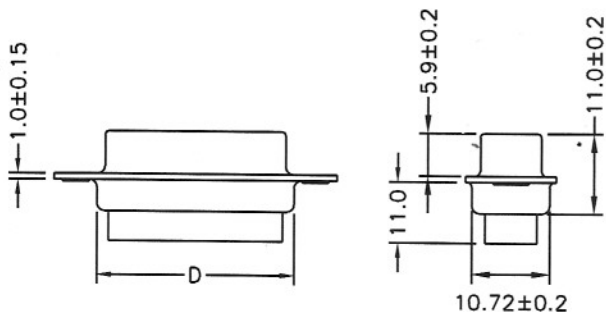
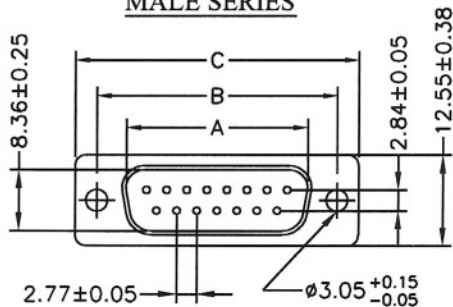
Accessories



FEMALE SERIES



MALE SERIES



CIRCUITS	D-CH-XXF		DIMENSION	
	A ± 0.2	B ± 0.2	C ± 0.2	D ± 0.2
9	16.4	25.0	30.9	19.3
15	24.7	33.3	39.2	27.6
25	38.5	47.1	53.1	41.2
37	55.0	63.5	69.4	57.6

CIRCUITS	D-CH-XXM		DIMENSION	
	A ± 0.2	B ± 0.2	C ± 0.2	D ± 0.2
9	16.9	25.0	30.9	19.3
15	25.2	33.3	39.2	27.6
25	38.9	47.0	53.1	41.2
37	55.3	63.5	69.4	57.6

ORDERING CODE

DCH - 25 / M / X / X / X / B / X

1 2 3 4 5 6 7 8

- SERIES NO.
WIRE SOLER D-SUB
- CONTACT NO:
09. 15. 25. 37
- CONTACT TYPE:
M=MALE
F=FEMALE
- MOUNTING OPTION:
A=THROUGH HOLE $\phi 3.05$ mm
B=HEX SCREW+1.5mm NUT
C=4.0mm OPEN HEX RIVET
D=6.0mm OPEN HEX RIVET
F=6.0mm CLOSE HEX RIVET

- ACCESSORIES:
A=NON ACCESSORIES
B=FRONT RIVET
C=FRONT RIVET+LOOSE SCREW
D=FRONT RIVET+FIXED SCREW
E=REAR RIVET
F=REAR RIVET+LOOSE SCREW
G=REAR RIVET+FIXED SCREW
J=ADD SCREWS
- SHELL PLATING:
T=TIN
N=NICKEL
Z=ZINC (CHROMATED)

- INSULATOR COLOR:
B=BLACK(STANDARD)
- PACKAGING Option
P=PE/BAG
T=TRAY