

# .100"(2.54mm) pitch Wire to Board Connectors

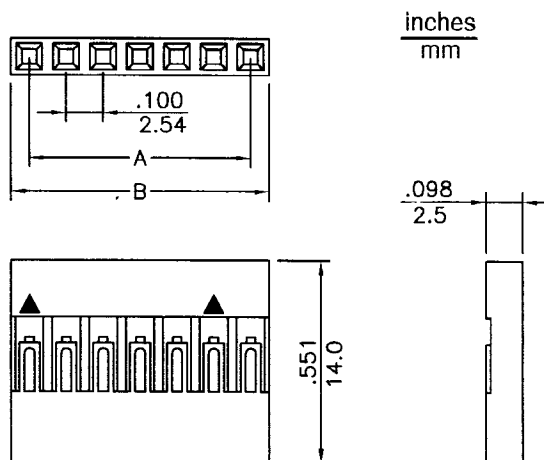


## CH328 Series

- \* Poles:1-50
- \* Material : NORYL UL 94V-1 BLACK
- \* Suitable CT328 or CT328B series terminal
- \* Mates with CW328 series Header

## Specifications

- \* Current rating : 3A AC, DC
- \* Voltage rating : 250V AC, DC
- \* Temperature range : -25°C~+85°C
- \* Insulation resistance : 1,000M Ω min.
- \* Withstand voltage : 800V AC/minute



CIRCUITS	PART NO.	DIMENSION in.(mm)		CIRCUITS	PART NO.	DIMENSION	
		A	B			A	B
1	CH328-01		0.104(2.65)	19	CH328-19	1.800(45.72)	1.908(48.46)
2	CH328-02	0.100(2.54)	0.208(5.28)	20	CH328-20	1.900(48.26)	2.008(51.00)
3	CH328-03	0.200(5.08)	0.308(7.82)	21	CH328-21	2.000(50.80)	2.108(53.54)
4	CH328-04	0.300(7.62)	0.408(10.36)	22	CH328-22	2.100(53.34)	2.208(56.08)
5	CH328-05	0.400(10.16)	0.508(12.90)	23	CH328-23	2.200(55.88)	2.308(58.62)
6	CH328-06	0.500(12.70)	0.608(15.44)	24	CH328-24	2.300(58.42)	2.408(61.16)
7	CH328-07	0.600(15.24)	0.708(17.98)	25	CH328-25	2.400(60.96)	2.508(63.70)
8	CH328-08	0.700(17.78)	0.808(20.52)	26	CH328-26	2.500(63.50)	2.608(66.24)
9	CH328-09	0.800(20.32)	0.908(23.06)	27	CH328-27	2.600(66.04)	2.708(68.78)
10	CH328-10	0.900(22.86)	1.008(25.60)	28	CH328-28	2.700(68.58)	2.808(71.32)
11	CH328-11	1.000(25.40)	1.108(28.14)	29	CH328-29	2.800(71.12)	2.908(73.86)
12	CH328-12	1.100(27.94)	1.208(30.68)	30	CH328-30	2.900(73.66)	3.008(76.40)
13	CH328-13	1.200(30.48)	1.308(33.22)	32	CH328-32	3.100(78.74)	3.208(81.48)
14	CH328-14	1.300(33.02)	1.408(35.76)	34	CH328-34	3.300(83.82)	3.408(86.56)
15	CH328-15	1.400(35.56)	1.508(38.30)	35	CH328-35	3.400(86.36)	3.508(89.10)
16	CH328-16	1.500(38.10)	1.608(40.84)	36	CH328-36	3.500(88.90)	3.608(91.64)
17	CH328-17	1.600(40.64)	1.708(43.38)	40	CH328-40	3.900(99.06)	4.008(101.80)
18	CH328-18	1.700(43.18)	1.808(45.92)	50	CH328-50	4.900(124.46)	5.008(127.20)

# .100"(2.54mm) pitch crimp terminal

## CT328 Series

- \* Material:Brass
- \* Finished:Tin plated or gold plated
- \* Used in CH328, CH330 series housings
- \* Wire range:AWG#22~#28
- \* Insulation O.D:1.70mm(max)
- \* Thickness:0.2mm
- \* Q'TY:10,000pcs/reel

P/N: CK328X  
Polarizing Plug

