

.039"(1.00mm) pitch Wire to Board Connectors

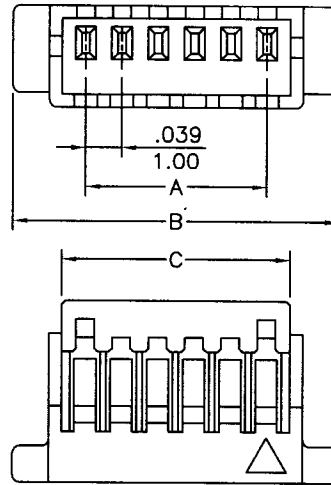


CH1001 Series

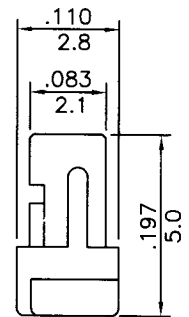
- * Poles:2-20
- * Material:PBTP UL94V-0 White
- * Suitable CT1001T series terminal
- * Mates with CW1001X-XX series wafer

Specifications

- * Current rating: 1A AC, DC
- * Voltage rating: 50V AC, DC
- * Temperature range: -25°C~+85°C
- * Insulation resistance: 1,00MΩ min.
- * Withstand voltage: 500V AC/minute



inches
mm

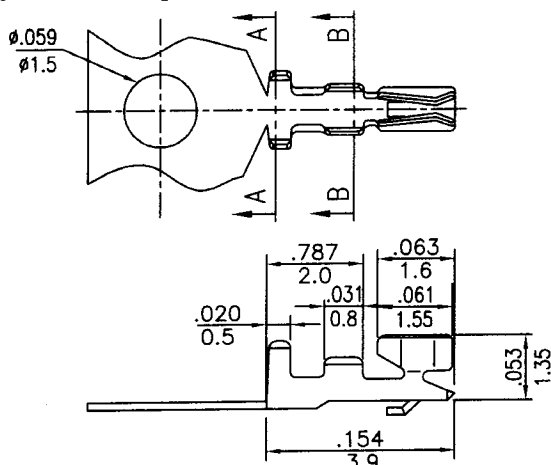


CIRCUITS	PART NO.	DIMENSION in.(mm)		
		A	B	C
2	CH1001-02	0.039(1.00)	0.197(5.0)	0.091(2.3)
3	CH1001-03	0.079(2.00)	0.236(6.0)	0.130(3.3)
4	CH1001-04	0.118(3.00)	0.276(7.0)	0.169(4.3)
5	CH1001-05	0.157(4.00)	0.315(8.0)	0.209(5.3)
6	CH1001-06	0.197(5.00)	0.354(9.0)	0.248(6.3)
7	CH1001-07	0.236(6.00)	0.394(10.0)	0.287(7.3)
8	CH1001-08	0.276(7.00)	0.433(11.0)	0.327(8.3)
9	CH1001-09	0.315(8.00)	0.472(12.0)	0.366(9.3)
10	CH1001-10	0.354(9.00)	0.512(13.0)	0.406(10.3)
11	CH1001-11	0.394(10.00)	0.551(14.0)	0.445(11.3)
12	CH1001-12	0.433(11.00)	0.590(15.0)	0.484(12.3)
13	CH1001-13	0.472(12.00)	0.630(16.0)	0.524(13.3)
14	CH1001-14	0.512(13.00)	0.670(17.0)	0.563(14.3)
15	CH1001-15	0.551(14.00)	0.709(18.0)	0.602(15.3)
16	CH1001-16	0.590(15.00)	0.748(19.0)	0.642(16.3)
17	CH1001-17	0.630(16.00)	0.787(20.0)	0.681(17.3)
18	CH1001-18	0.670(17.00)	0.827(21.0)	0.720(18.3)
19	CH1001-19	0.709(18.00)	0.866(22.0)	0.760(19.3)
20	CH1001-20	0.748(19.00)	0.906(23.0)	0.799(20.3)

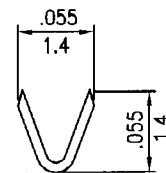
.039"(1.00mm) pitch crimp terminal

CT1001T Series

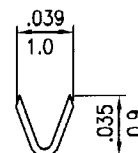
- * Material: Phos bronze
- * Finished: Tin-plated
- * Used in CH1001-XX series housings
- * Wire range: AWG#28~#32
- * Insulation O.D: 0.8mm(max)
- * Thickness: 0.12mm
- * Q'TY: 15,000pcs/reel



inches
mm



A-A SECTION



B-B SECTION