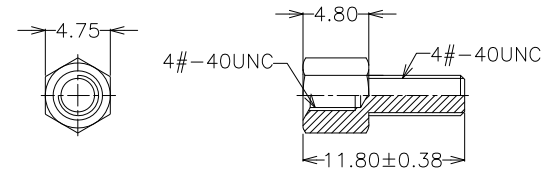
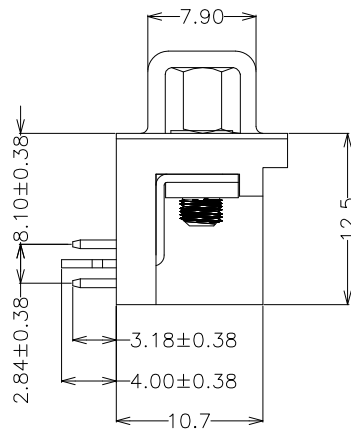
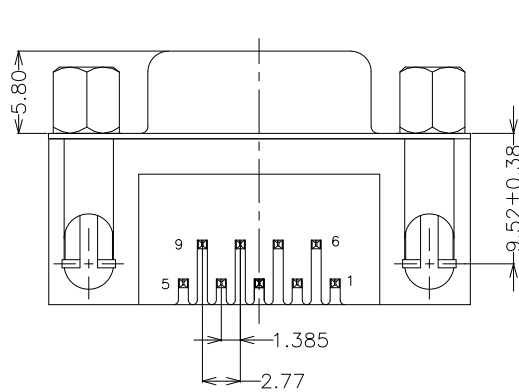
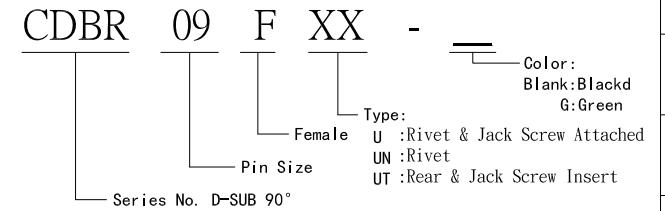


- NOTES:
- MATERIAL
 - INSULATOR: PBT+30%Glass Fiber
 - CONTACT BRASS
 - CONTACT PLATED: GOLD/TIN PLATED
 - SHELL: STEEL, NICKEL PLATED
 - SCREW: BRASS, NICKEL PLATED

2. SPECIFICATION
- CURRENT RATE: 5 AMPS
 - INSULATOR RESISTANCE: 1000M Min AT 500V DC
 - DIELECTRIC STRENGTH: 1000V PER MINUTE
 - OPERATION TEMPERATURE: -40°C TO +85°C

PART NO.



Type:

U Type	UN Type	UT Type
鉚合附螺絲	鉚合不附螺絲	鉚合鎖螺絲

承洧科技股份有限公司
CHERNG WEE I Cherg Wee Technology Corp.

DESCRIPTION(內容):
D-SUB 90° 9P (F) 鉚合半金 (RoHS)

PART NO:
(料號) CDBR09FXX-
DWG NO(圖號): AA02+090X-2X80

DRAWN(製圖):
GONG
CHECKED(確認):
TERESA
APPROVAL(核准):

JOHNNY

GENERAL TOLERANCE:
(公差)
.X ±.38
.XX ±.25
.XXX ±.15

SCALE(比例):
FREE

REV:
R0
UNIT:
mm
SIZE:
A4
SHEET:
1/1

REV
R0
R1
R2
R3

DESCRIPTION

DATE

2018.05.09

A

B

C

D

E