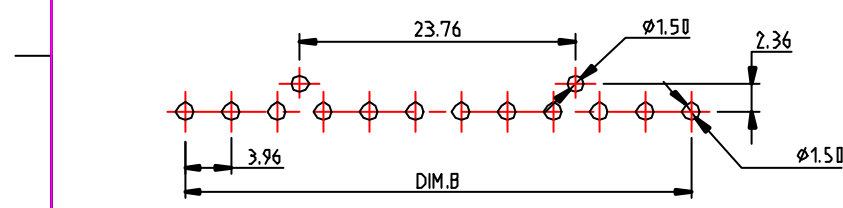
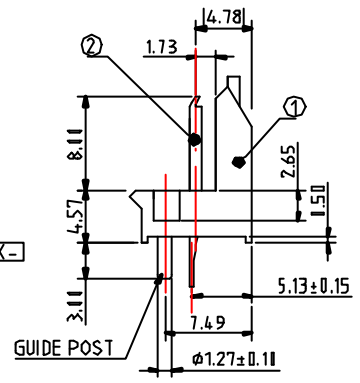
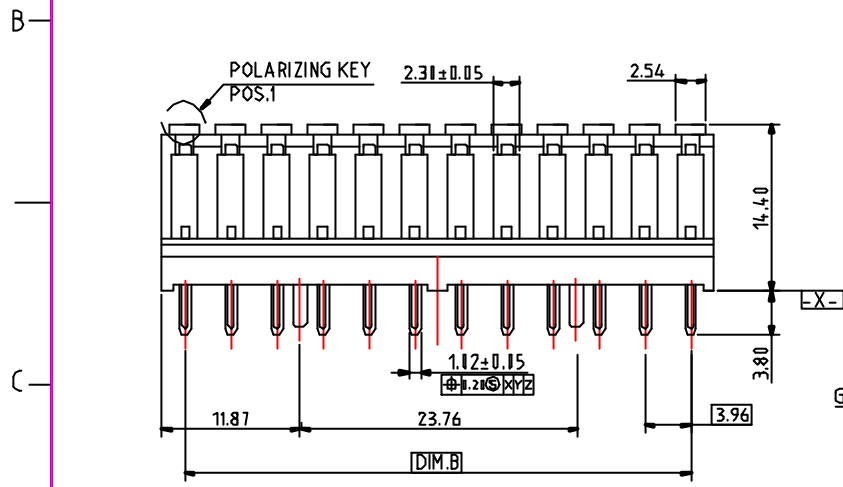
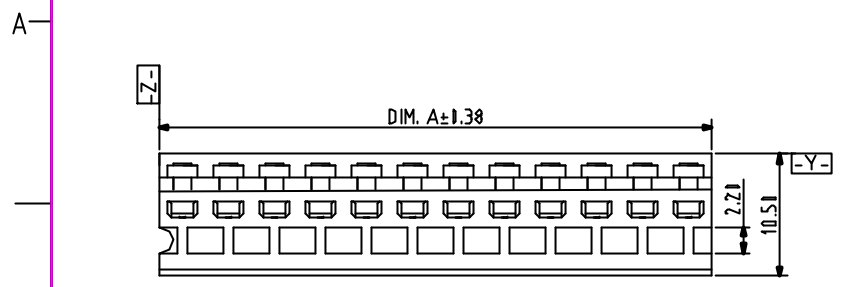


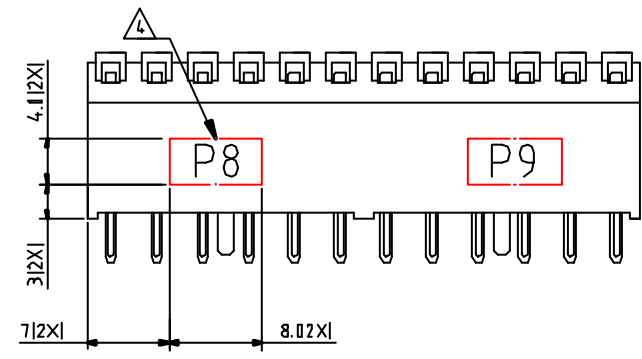
NOTES: UNLESS OTHERWISE SPECIFIED

1. OPERATION TEMPERATURE : -40°C-105°C
2. DIMENSIONING SHALL BE INTERPRETED PER ANSI Y14.5M-1994
3. CONTACT RETENTION FORCE: 4 lbs(1.82Kg) MIN. PER CONTACT.
4. THE LOT IDENTIFICATION CODE IS MARKING BY BLACK PRINTING.
5. P100-NN-N-N-NN-N

REV	ECN. NO.	APPD.
A	DC04141	T.K MENG 8/7/2014



HOUSING COLOR: NONE=IV DRY
 W=WHITE
 B=BLACK
 SEE DWG. NO. 010-0015-451
 PLATING: 1: 10μ" MIN TIN OVER ALL
 1: GOLD FLASH OVER CONTACT AREA
 2: GOLD FLASH OVER ALL
 CONTACT MAT'L: 1=BRASS
 2=PHOSPHOR BRONZE
 NO. OF POS.



12	47.50	43.56
06	23.75	19.80
NO. OF POS	DIM A	DIM B

ITEM	Q'TY	DESCRIPTION
②	NO. OF POS	CONTACT, BRASS OR PHOSPHOR BRONZE, 30μ" MIN. NICKEL UNDER PLATED. 10μ" MIN. TIN/LEAD OR GOLD PLATED OVER NICKEL.
①	1	INSULATOR, NYLON 6.6. UL94V-0.
COMPONENT PORT LIST		

X.±	.X± 0.38	.XX± 0.25	NAME-<INTENDED USE-> POWER BASE CONN. .156" CENTER	CTL CHATRON INCORPORATION
X°.±	.X°.±	.XX°.±		
UNITS:	mm	DATE: 8/1/2014	PART NO.-<INTENDED USE-> P100 SERIES	TITLE: CUSTOMER DRAWING
MAT'L			APPD: T.K MENG	DWG NO. 011-0004-450
			CHKD: GUOCHAO YAN	SCALE SHEET REV N/A 1/1 A
			DR: TANG HAI QING	