

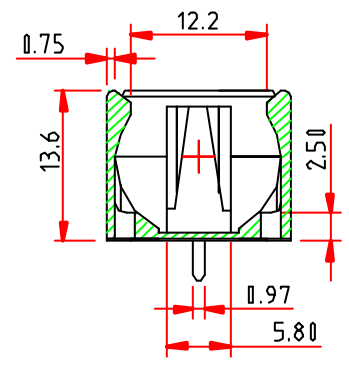
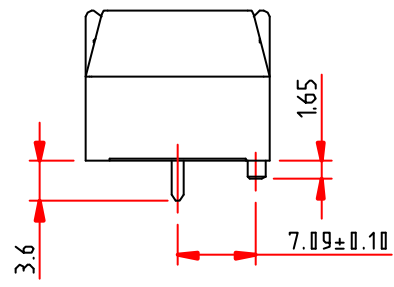
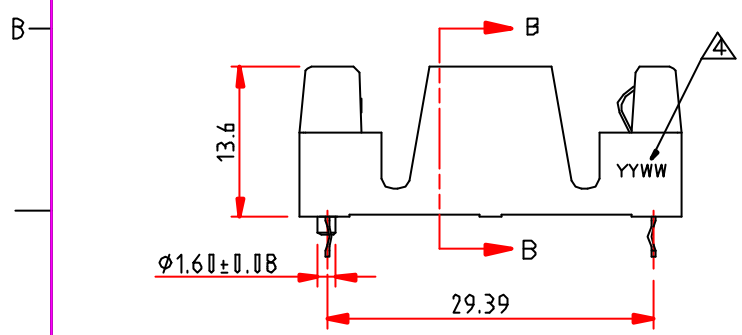
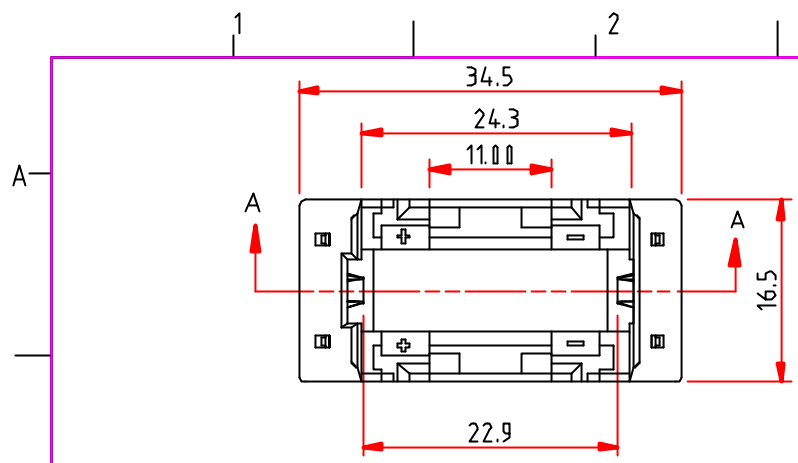
REV	ECN. NO.	APPD.
A	DC04-056	T. K MENG 8/7/2004

NOTE: UNLESS OTHERWISE SPECIFIED

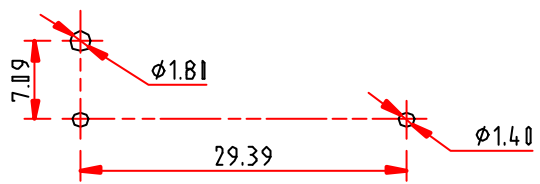
1. OPERATION TEMPERATURE : -40°C-105°C
2. CONTACT RETENTION FORCE: 2.3 Kg PER PIN.
3. PRODUCT NO. MATRIX : B200-N

MATING AREA PLATING:
0: TIN PLATING ON SOLDER AREA

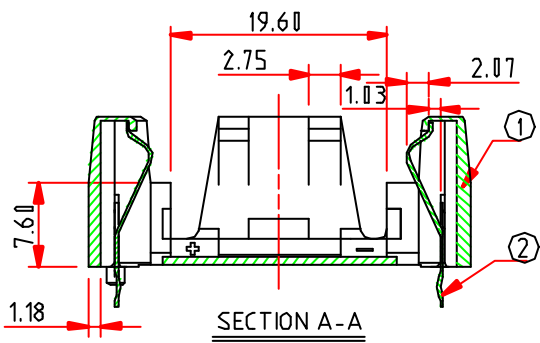
△ DATE CODE: "YYWW" AT APPROXIMATE LOCATION AS SHOWN
YY STANDS FOR THE YEAR.
WW STANDS FOR THE WEEK OF THE YEAR.



SECTION B-B



RECOMMENDED P.C.B. LAYOUT



SECTION A-A

ITEM	Q'TY	DESCRIPTION
②	2	CONTACT : STAINLESS STEEL, NICKEL PLATING OVER ALL AT 30u" MIN. SOLDER AREA PLATING: 10u" MIN. TIN
①	1	HOUSING : PA6T UL94V-0 RATED, BLACK.
COMPONENT PARTS LIST		

X.±	.X± 0.25	.XX± 1.20	NAME-INTENDED USE-> BATTERY HOLDER	CTL CHARTER INCORPORATION
X°±	.X°±	.XX°±		
UNITS: mm	DATE: 8/1/2004	MAT'L	PART NO.-INTENDED USE-> B200 SERIES	TITLE: CUSTOMER DRAWING
			APPD: T. K MENG	DWG NO. 111-0002-640
			CHKD: GUO CHAO YAN	SCALE SHEET REV N/A 1/1 A
			DR: TANG HAI QING	