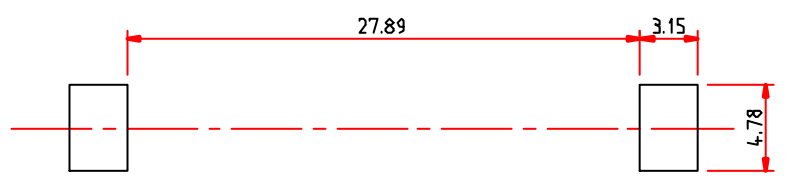
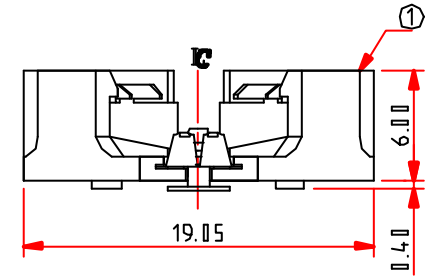
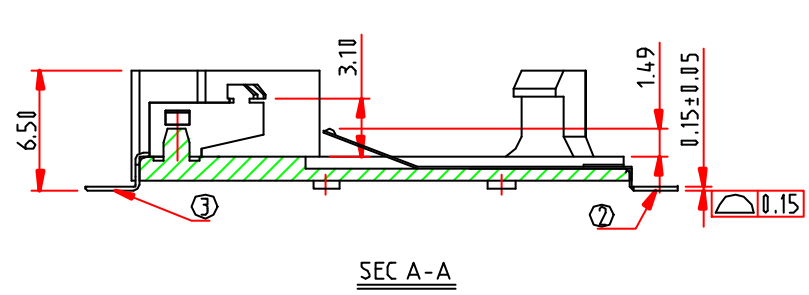
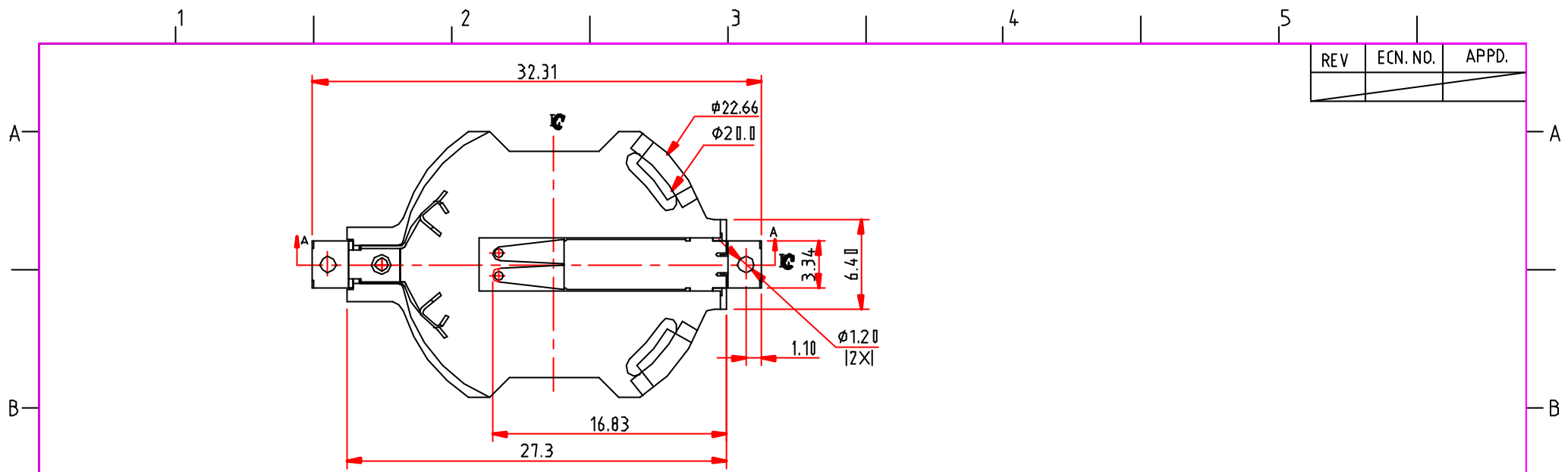


REV	ECN. NO.	APPD.



B100-2-N	SMT TYPE
PROD. NO.	REMARK

ITEM	Q'TY	DESCRIPTION
③	1	ANODE CONTACT, PHOSPHOR BRONZE T=0.20mm
②	1	CATHODE CONTACT, PHOSPHOR BRONZE, T=0.15mm
①	1	HOUSING: PA6T+30% GLASS FIBER, UL94V-0, COLOR BLACK
COMPONENT PARTS LIST		

X.±	.X± 0.25	.XX± 0.20	NAME<INTENDED USE> BATTERY HOLD CONN.	CTL CHATRON INCORPORATION
X*.± 2*	.X*±	.XX*±		
UNITS: mm	DATE: 8/1/2014		PART NO.<INTENDED USE> B100 SERIES	TITLE: CUSTOMER DRAWING
MAT'L			APPD: T. K MENG	DWG NO. 010-0012-630
			CHKD: GUOCHAO YAN	SCALE SHEET REV N/A 2/2 A
			DR: TANG HAI QING	