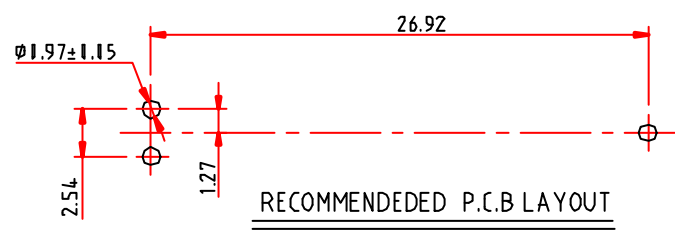
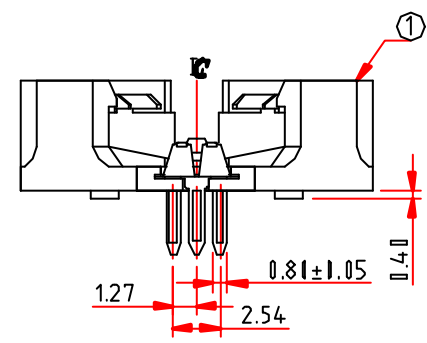
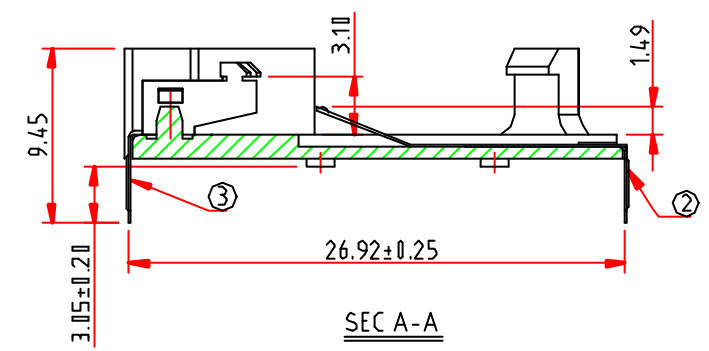
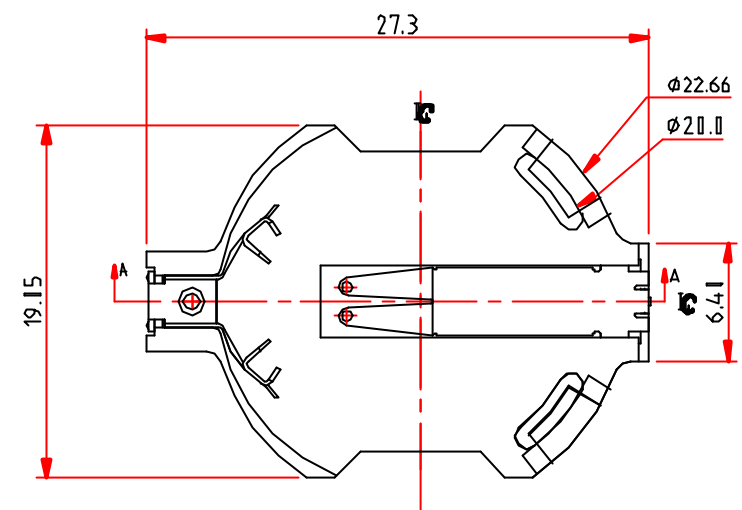


REV	ECN. NO.	APPD.
A	DC14057	T.K MENG 8/7/2014

NOTE: UNLESS OTHERWISE SPECIFIED
 1. CONNECTOR ACCEPTS BATTERY #CR2032.
 2. PRODUCT NO. MATRIX:

B100-N-N

CONTACT AREA PLATING
 0=100µ"MIN. TIN/LEAD PLATING OVER ALL
 2=2µ"MIN. GOLD FLASH PLATING OVER ALL
 MOUNTING END TYPE
 1: R/H TYPE
 2: SMT TYPE



B100-1-N	RIGHT ANGLE, T/H TYPE
PROD. NO.	REMARK

X.±	.X± 1.25	.XX± 1.20	NAME<-INTENDED USE> BATTERY HOLDER CONN.	CTL CHATRON INCORPORATION
X°±2°	.X°±	.XX°±	TITLE: CUSTOMER DRAWING	
UNITS: mm	DATE: 8/1/2014		PART NO.<-INTENDED USE> B100 SERIES	DWG NO. 111-0002-630
MAT'L			APPD: T. K MENG	SCALE SHEET REV N/A 1/2 A
			CHKD: GUDCHAD YAN	
			DR: TANG HAI QING	

ITEM	Q'TY	DESCRIPTION
③	1	ANODE CONTACT, PHOSPHOR BRONZE, T=0.20mm
②	1	CATHODE CONTACT, PHOSPHOR BRONZE, T=0.15mm
①	1	HOUSING: PA6T, GLASS FILLED, UL94V-0, COLOR BLACK
COMPONENT PARTS LIST		