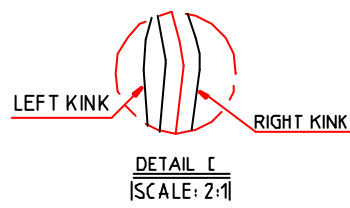
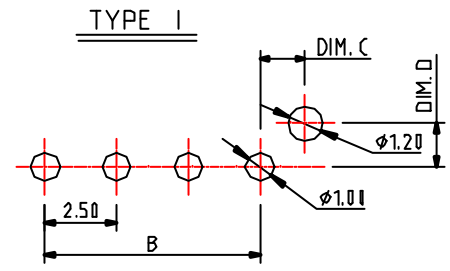
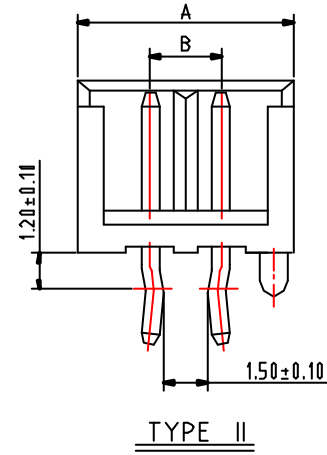
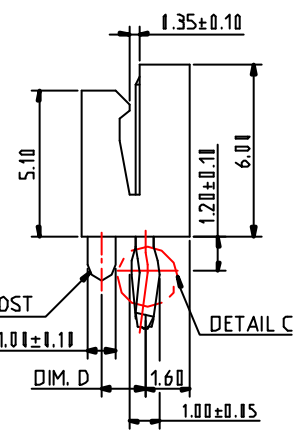
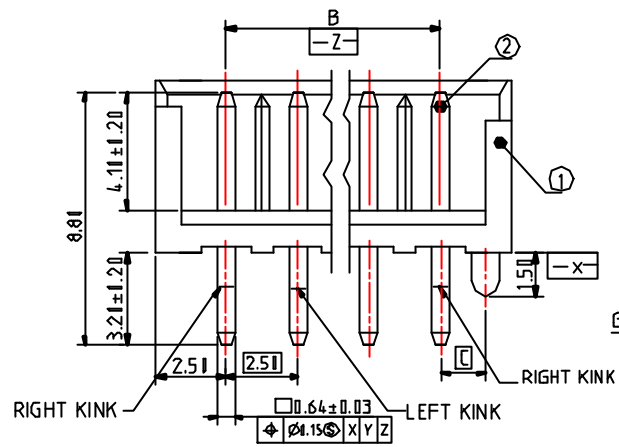
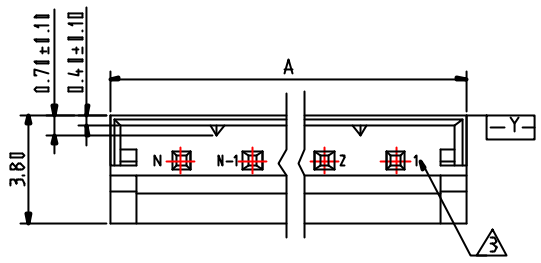


REV	ECN. NO.	APPD.
A	DC 04 031	T K MENG 8/7/2014

NOTES:
 1. OPERATION TEMPERATURE : -45°C-105°C
 2. DIMENSIONING SHALL BE INTERPRETED PER ANSI Y14.5M-1994
 3. CONTACT RETENTION FORCE: 0.91 Kgf MIN.
 4. POSITION NO. FOR REFERENCE ONLY
 5. F201-NN-N-N NN

NO. OF POS. _____ NONE: STANDARD PRODUCT
 P1: ONE GUIDE POST (DIM. C=1.6 DIM. D=1.50)
 C1: ONE GUIDE POST (DIM. C=1.95 DIM. D=1.60)
 NONE: STANDARD PRODUCT
 K: WITH KINK
 2 POS 1ST & 2ND PINS OF TERMINALS ARE KINKED (SEE TYPE III)
 3 15 PDS .THE 1ST, N-1 & N PINS OF TERMINALS ARE KINKED (SEE TYPE II)

I=100u" MIN TIN/LEAD OVER ALL
 2= GOLD FLASH OVER ALL
 B= 15u" MIN GOLD



F201-15-x-□□□	15	40.10	35.11
F201-14-x-□□□	14	37.50	32.51
F201-13-x-□□□	13	35.00	30.11
F201-12-x-□□□	12	32.50	27.50
F201-11-x-□□□	11	31.00	25.10
F201-10-x-□□□	10	27.50	22.50
F201-19-x-□□□	9	25.00	20.10
F201-18-x-□□□	8	22.50	17.50
F201-17-x-□□□	7	21.00	15.00
F201-16-x-□□□	6	17.51	12.50
F201-15-x-□□□	5	15.11	11.00
F201-14-x-□□□	4	12.51	7.51
F201-13-x-□□□	3	10.11	5.01
F201-12-x-□□□	2	7.50	2.51
PROD. NO.	NO. OF POS.	DIM. A	DIM. B

ITEM	PART NO.	Q'TY	DESCRIPTION
②	CONTACT	BASE ON POS. NO.	BRASS. 50u" MIN. NICKEL UNDER PLATE TIN/LEAD OR GOLD PLATING OVER NICKEL
①	HOUSING	1	NYLON 6.6. UL 94V-0. COLOR WHITE

COMPONENT PARTS LIST

X.±	.X± 1.38	.XX± 0.25	NAME-INTENDED USE-> POLARIZING WALL, HDR. .198" PITCH, .125" SQ.	CTL CHARTER INCORPORATION
X°±	.X°±	.XX°±		
UNITS: mm	DATE: 8/1/2014	PART NO.-INTENDED USE-> F201 SERIES	TITLE: CUSTDMR DRAWING	
MAT'L		APPD: T.K MENG	DWG NO. 10-0012-145	
		CHKD: GUOCHO YAN	SCALE SHEET REV	
		DR: LIU XIAO YE	N/A 1/1	A