

REV.	ECN NO.	ADDP.
H	0504003	Joseph Chou 8/1/2014

FEATURE:

INSULATOR  
Glass-Filled P.B.T. is 94V-0 rated  
CONTACT  
Phosphor Bronze selective gold plating  
over nickel

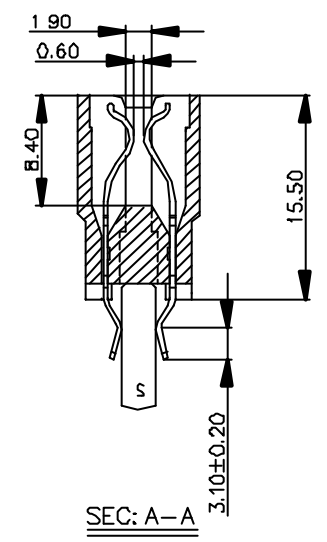
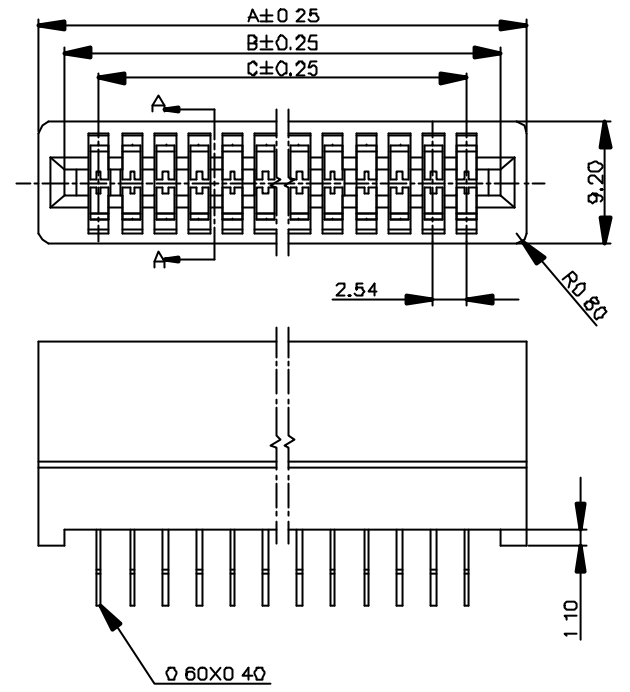
SPECIFICATION:

Current Rating : 3 amperes  
Contact Resistance : 20 miniohms max.  
Operation Temperature : -55°c to +105°c  
Voltage Rating : 800 VAC 1 minute  
Insulation Resistance : 5000 megaohms min.

NOTE:  
ORDERING INFORMATION

ex  
SERIES NO.      CONTACTS NO.      ROW TO ROW

1000C      XX      S



CONTACTS NO	DIM A	DIM B	DIM C	CONTACTS NO	DIM A	DIM B	DIM C
2/4	11.68	7.82	2.54	18/36	52.32	48.46	43.18
3/6	14.22	10.36	5.18	19/38	54.86	51.00	45.72
4/8	16.76	12.90	7.62	20/40	57.40	53.54	48.26
5/10	19.30	15.44	10.16	22/44	62.48	58.62	53.34
6/12	21.84	17.98	12.70	24/48	67.56	63.70	58.42
7/14	24.38	20.52	15.24	25/50	70.10	66.24	61.96
8/16	26.92	23.06	17.78	30/60	82.80	78.94	73.66
9/18	29.46	25.60	20.32	31/62	85.34	81.48	76.20
11/20	32.00	28.14	22.86	32/64	87.88	84.02	78.74
11/22	34.54	30.68	25.40	35/70	95.50	91.64	86.36
12/24	37.08	33.22	27.94	36/72	98.04	94.18	88.90
13/26	39.62	35.76	30.48	40/80	118.20	104.34	99.06
14/28	42.16	38.30	33.02	43/86	115.82	111.96	116.68
15/30	44.70	40.84	35.56	49/98	138.68	134.82	129.54
16/32	47.24	43.38	38.10	51/100	133.60	129.74	124.46
17/34	49.78	45.92	40.64				

Row To Row	S
A	1.60mm
B	2.54mm
C	3.81mm

X± 0.10	X± 0.38	XX± 0.25	NAME INTENDED USE: EDGE CARD CONN.	<b>CTL</b> CORPORATION
X°	X°	XX°	PART NO. INTENDED USE: 1000C SERIES	
UNITS: mm	DATE: 8/1/2014		TITLE: EDGE CONNECTOR 2.54mm PITCH WITHOUT MOUNTING EARS CLIP TYPE	DWG NO: 010-0000-51C
MATERIAL: CONTACT: PHOSPHOR BRONZE HOUSING: P.B.T. UL94V-0			APPR: Joseph Chou	SCALE SHEET REV N/A 1 / 1 H
			CHKD: Ching-Yi Yu	
			DR: Zi.Hsiang.Chen	