

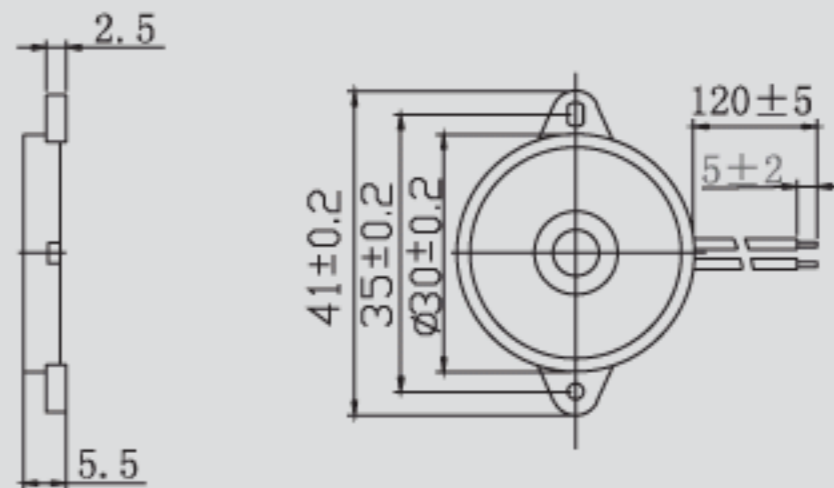
# ZB-PT-3005L



## DIMENSIONS

UNIT: mm

Tolerance:  $\pm 0.5\text{mm}$



## SPECIFICATIONS

Type	Unit	ZB-PT-3005L-03	ZB-PT-3005L-05	ZB-PT-3005L-12
Rated Voltage	V	3(Sine Wave)	9(Square Wave)	12(Square Wave)
Operating Voltage	V	1-30	1-30	1-30
*Rated Current(MAX)	mA	1	3	3.5
*Min Sound Output at 10 cm	dB	85(at 4KHz)	88(at 3.5KHz)	85(at 1.3KHz)
*Resonant Frequency	Hz	4000 $\pm$ 500	3500 $\pm$ 500	1300 $\pm$ 500
Capacitance at 120Hz	pF	25000 $\pm$ 30%	20000 $\pm$ 30%	45000 $\pm$ 30%
Lead Wire	UL1095 AWG28			

\*Value Applying at Rated Voltage(resonant frequency, 1/2 duty, square wave)