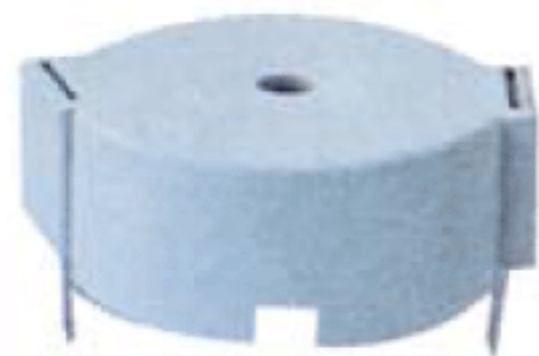


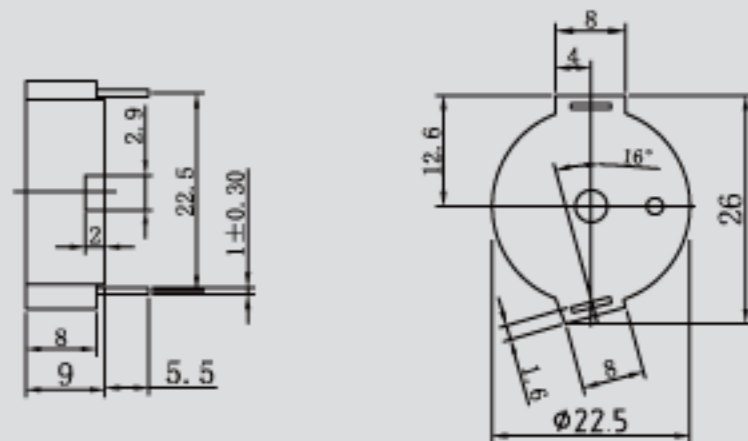
ZB-PT-2309



DIMENSIONS

UNIT: mm

Tolerance: ± 0.5 mm



SPECIFICATIONS

Type	Unit	ZB-PT-2309
Rated Voltage(Square Wave)	Vp-p	10
Operating Voltage	Vp-p	1-30
*Rated Current(MAX)	mA	3.5
*Min Sound Output at 2.048KHz / 10cm	dB	85
*Resonant Frequency	Hz	2048 \pm 500
Capacitance at 120Hz	pF	24000 \pm 30%
Lead Pin Material		Phosphor Bronze

*Value Applying at Rated Voltage(resonant frequency, 1/2 duty, square wave)