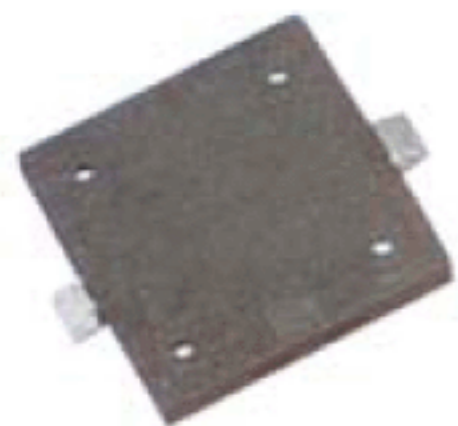


# ZB-PT-1603T

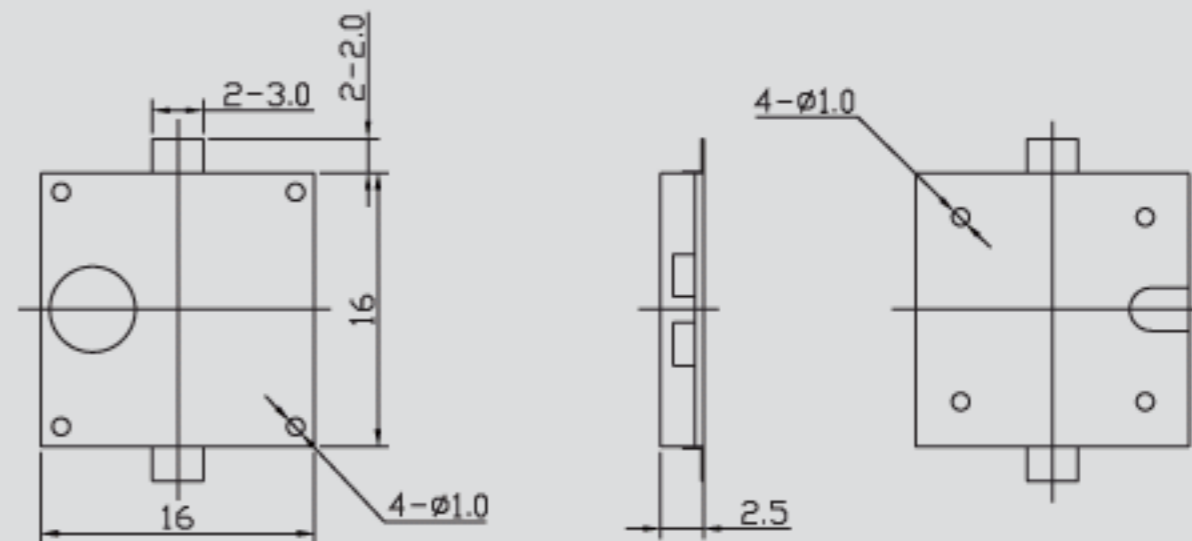


## DIMENSIONS

UNIT: mm

Tolerance:  $\pm 0.5\text{mm}$

Reflow Solderable and Washable



## SPECIFICATIONS

Type	Unit	ZB-PT-1603T
Rated Voltage(Square Wave)	Vp-p	3
Operating Voltage	Vp-p	1-25
*Rated Current(MAX)	mA	1
*Min Sound Output at 4KHz/10 cm	dB	70
*Resonant Frequency	Hz	4000 $\pm$ 500
Capacitance at 1.0kHz	pF	14000 $\pm$ 30%
Lead Pin Material		Ni-alloy

\*Value Applying at Rated Voltage(resonant frequency, 1 / 2 duty, square wave)