

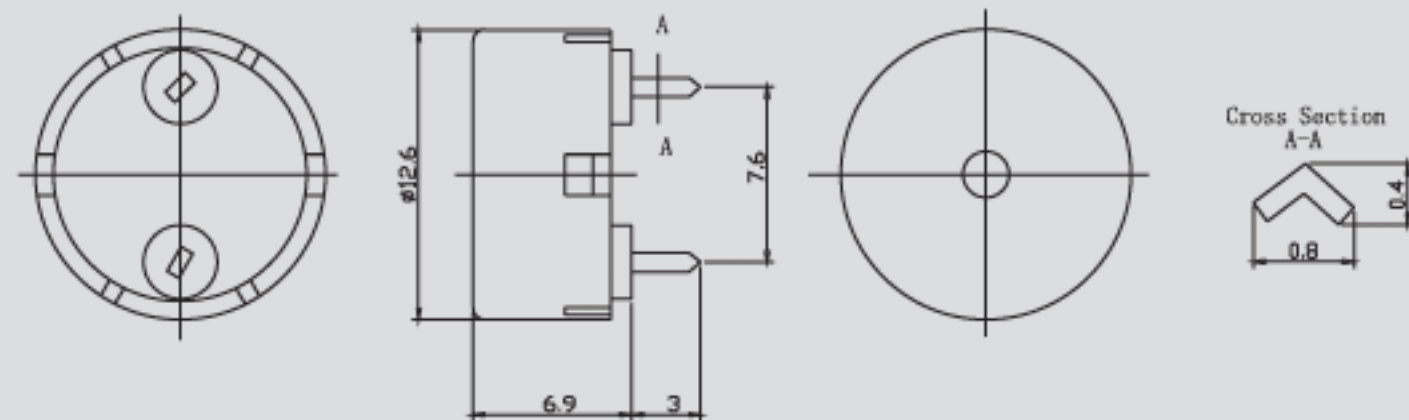
ZB-PT-1307



DIMENSIONS

UNIT: mm

Tolerance: $\pm 0.5\text{mm}$



SPECIFICATIONS

Type	Unit	ZB-PT-1307
Rated Voltage(Square Wave)	Vp-p	3
Operating Voltage	Vp-p	1-25
*Rated Current(MAX)	mA	2
*Min Sound Output at 4.0KHz/10cm	dB	70
*Resonant Frequency	Hz	4000 \pm 500
Capacitance at 120Hz	pF	12000 \pm 30%
Lead Pin Material		Phosphor Bronze

*Value Applying at Rated Voltage(resonant frequency, 1/2 duty, square wave)