

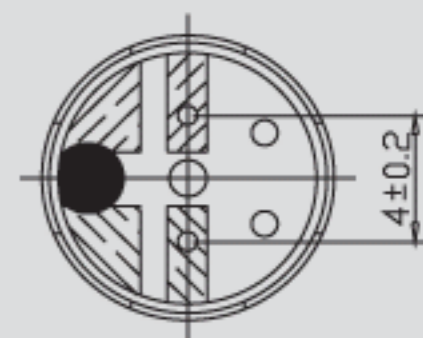
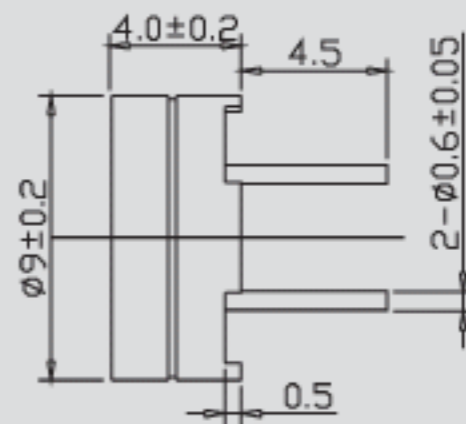
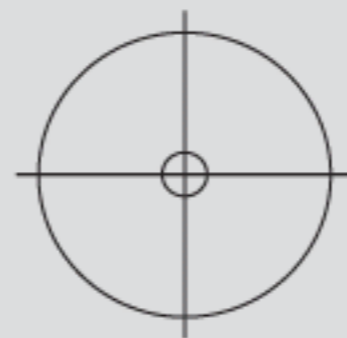
# ZB-09



## DIMENSIONS

UNIT: mm

Tolerance:  $\pm 0.5\text{mm}$



## SPECIFICATIONS

Type	Unit	ZB-0901	ZB-0903	ZB-0905
Rated Voltage	V	1.5	3.6	5
Operating Voltage	V	1-3	2-5	3-8
*Rated Current(MAX)	mA	80	90	60
*Min Sound Output at 10 cm	dB	80	83	85
Coil Resistance	$\Omega$	$5.5 \pm 2$	$15 \pm 2$	$45 \pm 4$
*Resonant Frequency	Hz	2731		

\*Value Applying at Rated Voltage(resonant frequency, 1/2 duty, square wave)